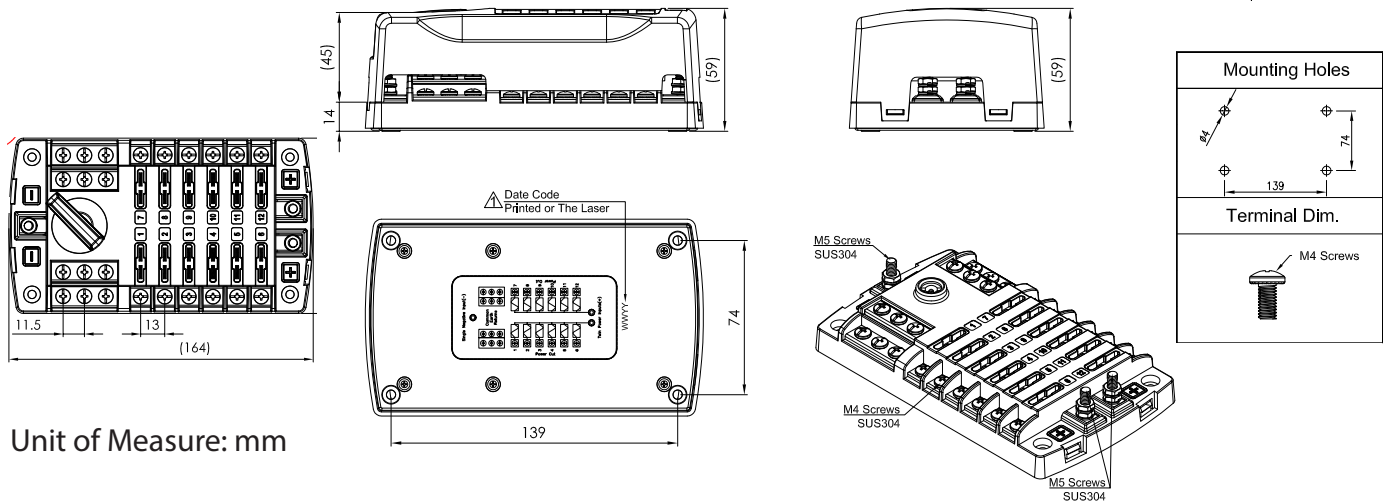




12 Way Fuse Block w/ Ground Bus Specifications Sheet

OUTLINE DRAWING



NOTES

Material	Cover: PC, Clear
	Housing & Base: PBT, Black
	Terminal: Tinned copper
	Button: PA, Red
Voltage	32 VDC
Input Terminal Rating	M5 threaded studs (100A max.)
Output Terminal Rating	30A max. load per circuit
Input Wire	4-6 AWG
Output Wire	12-16 AWG
Fuse Specifications	For Standard Blade Fuses
Torque Rating	20 in-lb (2.25Nm) max.
Mounting Torque Rating	8in-lb (0.9Nm) max.
Temperature Rating	-25°C to +85°C
Current Rating	100A Max.

