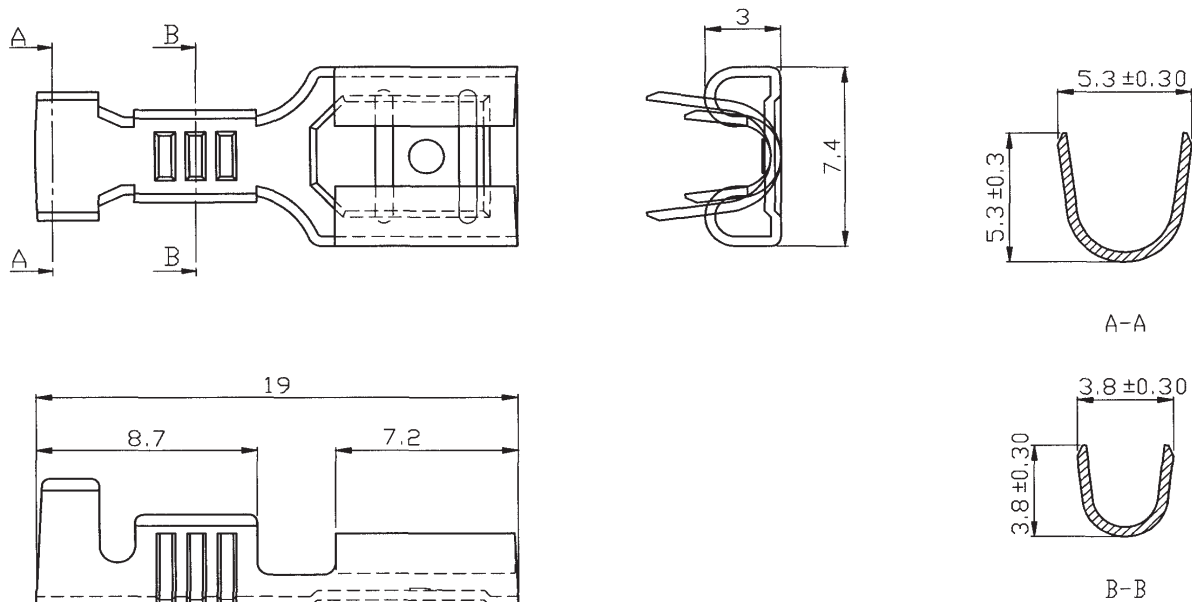


# 16-14 AWG Open-Ended Female Quick Connector Specifications Sheet

## OUTLINE DRAWING



## NOTES

### Maximum Electrical Current

<b>AWG</b>	16	14	
<b>MAX AMP</b>	10	15	
<b>Wire Range</b>	16-14 AWG (1.5 - 2.5 mm <sup>2</sup> )		
<b>NEMA Tab</b>	0.032" x 0.250" (0.8 mm x 6.35 mm)		
<b>Thickness</b>	0.40 mm		
<b>Voltage</b>	600V		

