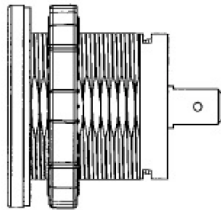
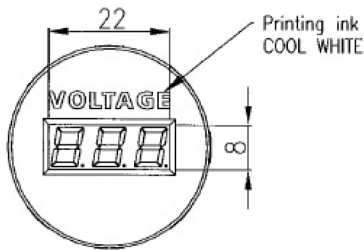
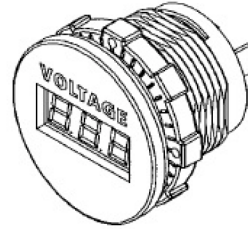
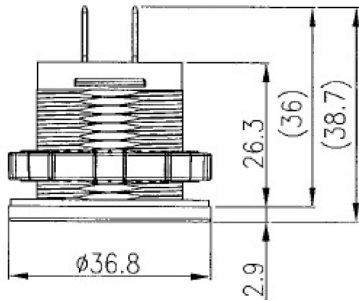


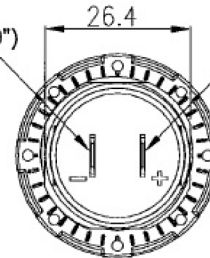


6V to 33V DC LED Digital Voltmeter Specifications Sheet

OUTLINE DRAWING



Ground Tab
Quick Terminal(.250")



Positive Tab
Quick Terminal(.250")

NOTES

Operating Voltage	6-33V DC
Current Tolerance	+/- 1% (0.1V @ 12V, 0.2V @ 24V) LED Display
Insulation Resistance	500V DC 100M Ω Min.
Operating Temperature	-20°C /- 50°C
Reverse Polarity Protection	
Surge Protection up to 400W/35V	

MOUNTING HOLE

