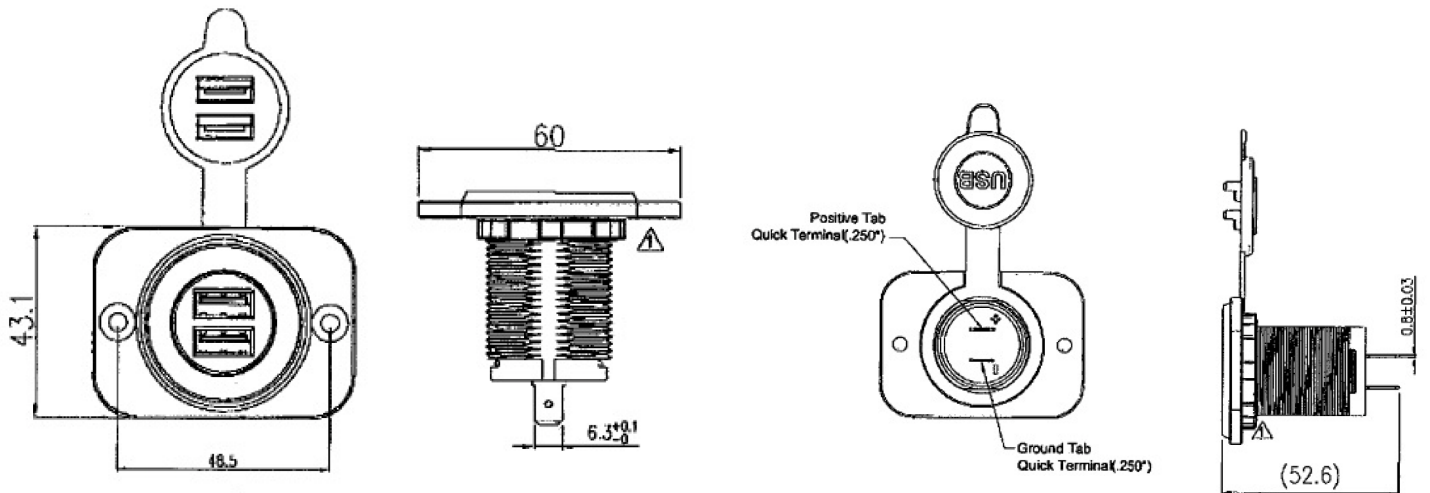




12-24V Dual USB Socket Specifications Sheet

OUTLINE DRAWING



Unit of Measure: mm

Tolerances ± 0.3 Unless Otherwise Specified

NOTES

Rating	Input 12V/24 DC Output: USB Socket - 5V 2.1A max.
Insulation Resistance	500V DC 100M Ω Min.
Dielectric Strength	1500V AC 1 minute

MOUNTING HOLE

