

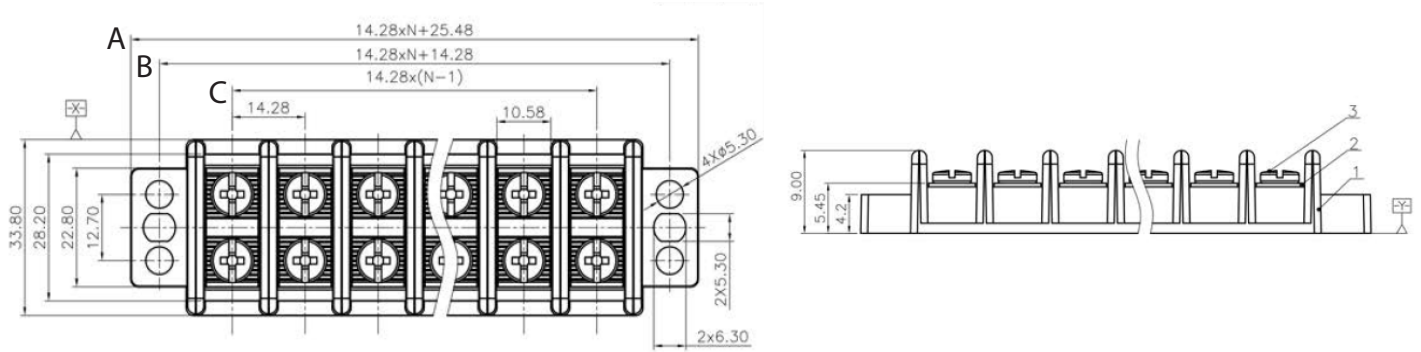


# PICO®

## PART # 992, 993, 994

# Terminal Blocks Specifications Sheet

### OUTLINE DRAWING



Unit of Measure: mm

	992 (4 positions)	993 (6 positions)	994 (10 positions)
<b>A (Length Overall)</b>	82.60	111.16	168.28
<b>B (Length Eye to Eye)</b>	71.4	99.96	157.08
<b>C (Length Screw to Screw)</b>	42.84	71.4	128.52

### NOTES

<b>Housing Material</b>	PC, Black
<b>Screw</b>	M4 Stainless Steel
<b>Terminals</b>	Tin Plated Copper
<b>Screws Torque</b>	1.2/10.53 In-Lb
<b>Wire Range</b>	10 ~ 22 AWG
<b>Rated</b>	30A 600V AC
<b>Operation Temperature</b>	-40°C ~ 125°C

