

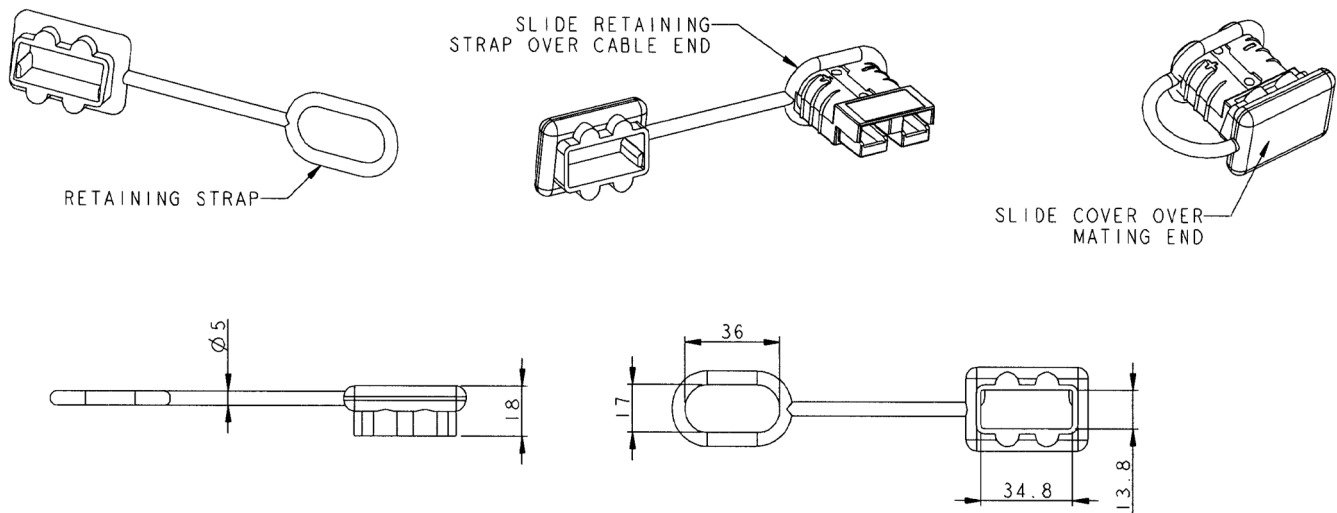


# PICO®

## PART # 3290

### 50A Series Modular Connector Cap Specifications Sheet

#### OUTLINE DRAWING



Unit of Measurement: mm

#### NOTES

Colour	Black
Series	50A
Max Electrical Rating	125°C 600V Max
Material	Rubber

