

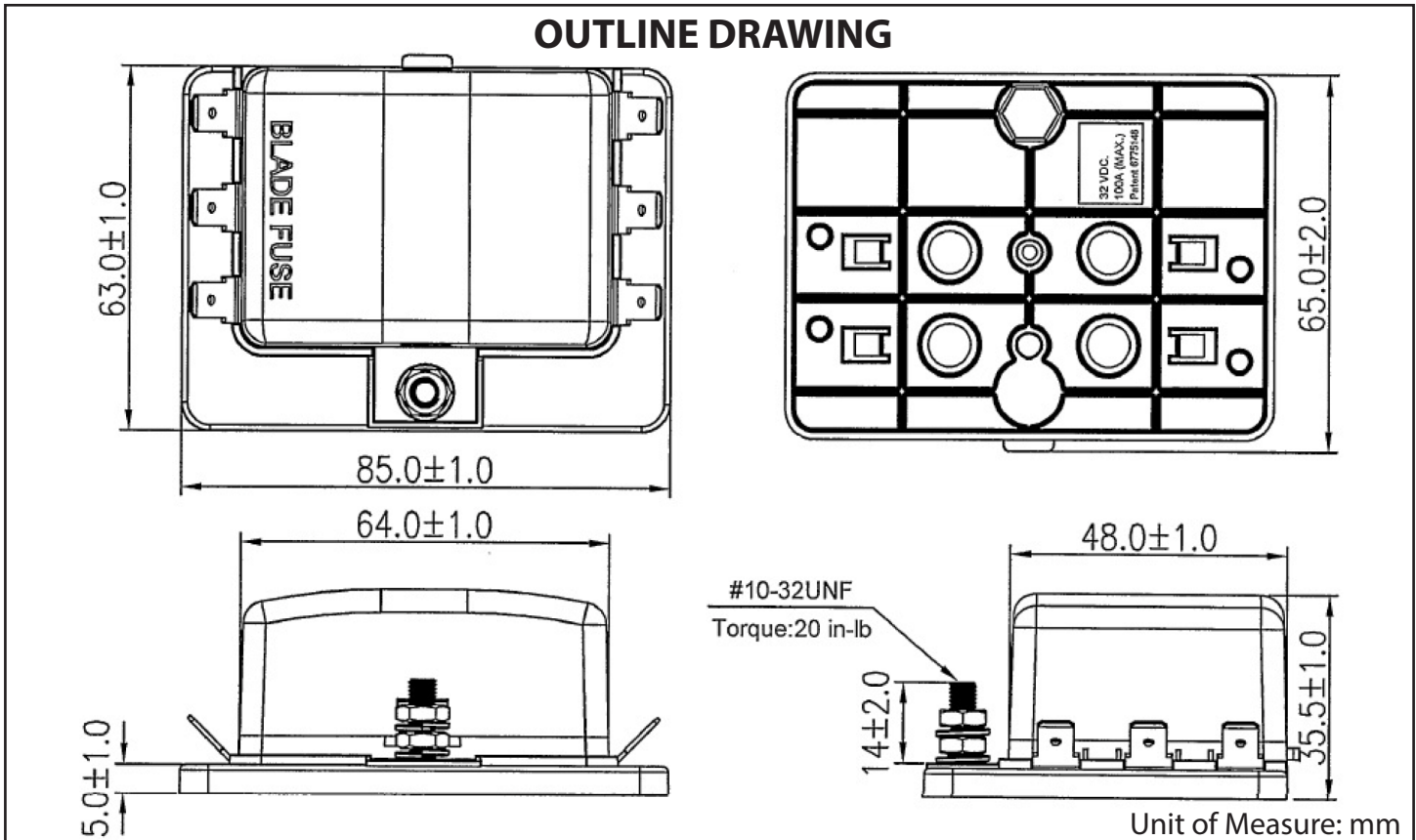


PICO®

PART # 3416

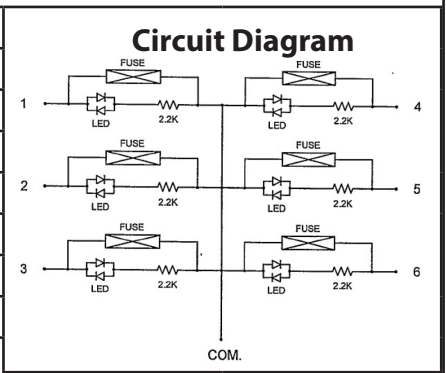
6 Way Fuse Block with Tab Terminals & LED Indicator Specifications Sheet

OUTLINE DRAWING



NOTES

Voltage (Max.)	32V DC
Input Terminal Rating	#10-32 threaded studs (100A max. tested by 4 pcs. 25A load)
Output Terminal Rating	30A max. per circuit
Connection Pad Option Available	Input wire size: 4-6 AWG Output wire size: 12-16 AWG
Fuse Specifications	For Standard Blade Fuses only
Torque Rating	20"-lb (2.25Nm) max.
Mounting Torque Rating	8"-lb (0.9Nm) max.
Temperature Rating	-20°C to 85°C



Material	Cover	PC. (Transparent)
	Housing Base	PBT (Black)
	Push Button	POM (White)
	Terminal	Tin Plated Copper

