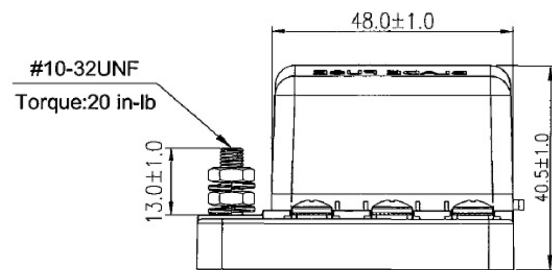
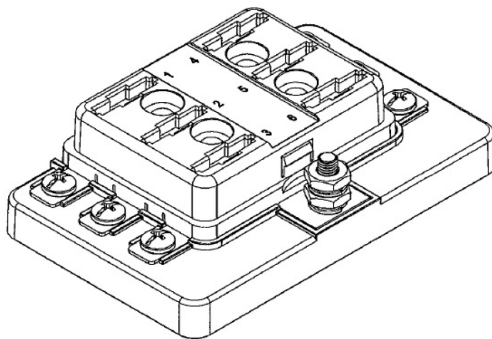
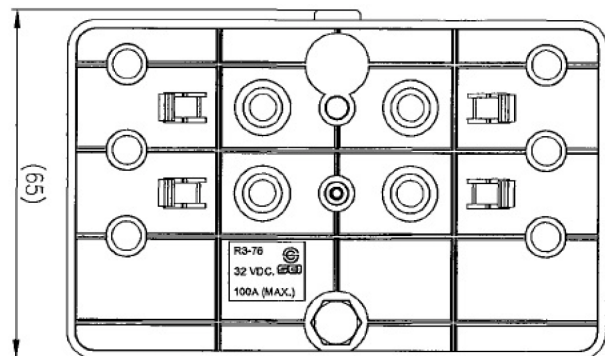
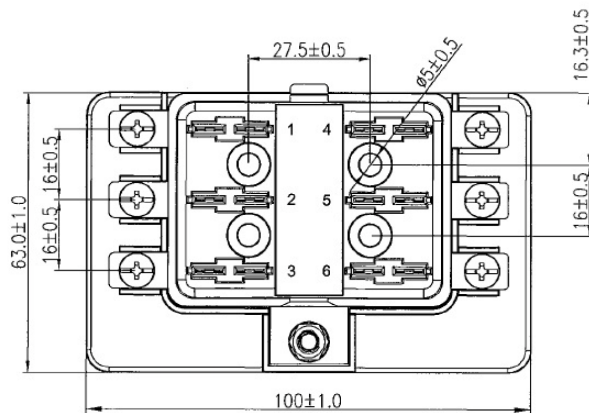




# 6 Way Fuse Block with Screw Terminals Specifications Sheet

### OUTLINE DRAWING

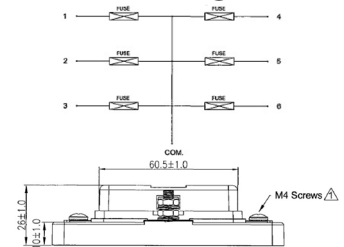


Unit of Measure: mm

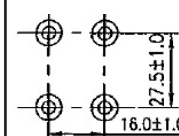
### NOTES

<b>Voltage (Max.)</b>	32V DC
<b>Input Terminal Rating</b>	#10-32 threaded studs (100A max. tested by 4 pcs. 25A load)
<b>Output Terminal Rating</b>	30A max. per circuit
<b>Connection Pad Option Available</b>	Input wire size: 4-6 AWG
	Output wire size: 12-16 AWG
<b>Fuse Specifications</b>	For Standard Blade Fuses only
<b>Temperature Rating</b>	-20°C to 85°C

### Circuit Diagram



### Mounting Holes



### Terminal Dimensions

