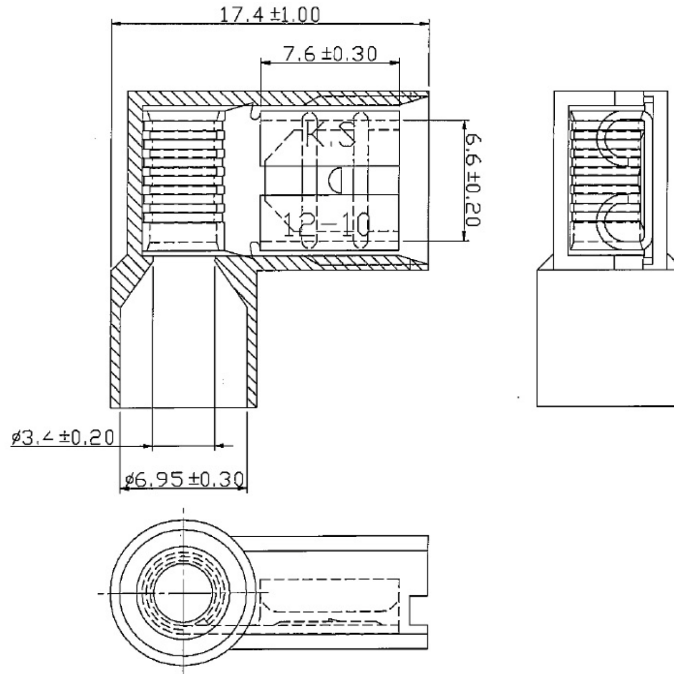




# 12-10 AWG Nylon Insulated Flag Connectors Specifications Sheet

### OUTLINE DRAWING



### NOTES

WIRE RANGE	INSULATION COLOUR	NEMA TAB	TERMINAL THICKNESS
12-10 AWG	Yellow	0.032" x 0.2550" (0.8 mm x 6.35 mm)	0.45 mm
Maximum Electrical Current			
AWG	12	10	
AMP	20	24	
Maximum Electrical Rating	105°C 300V Max		
Insulation Material	Nylon		
Terminal Material	Brass		
Terminal Surface Treatment	Tin Plated		

