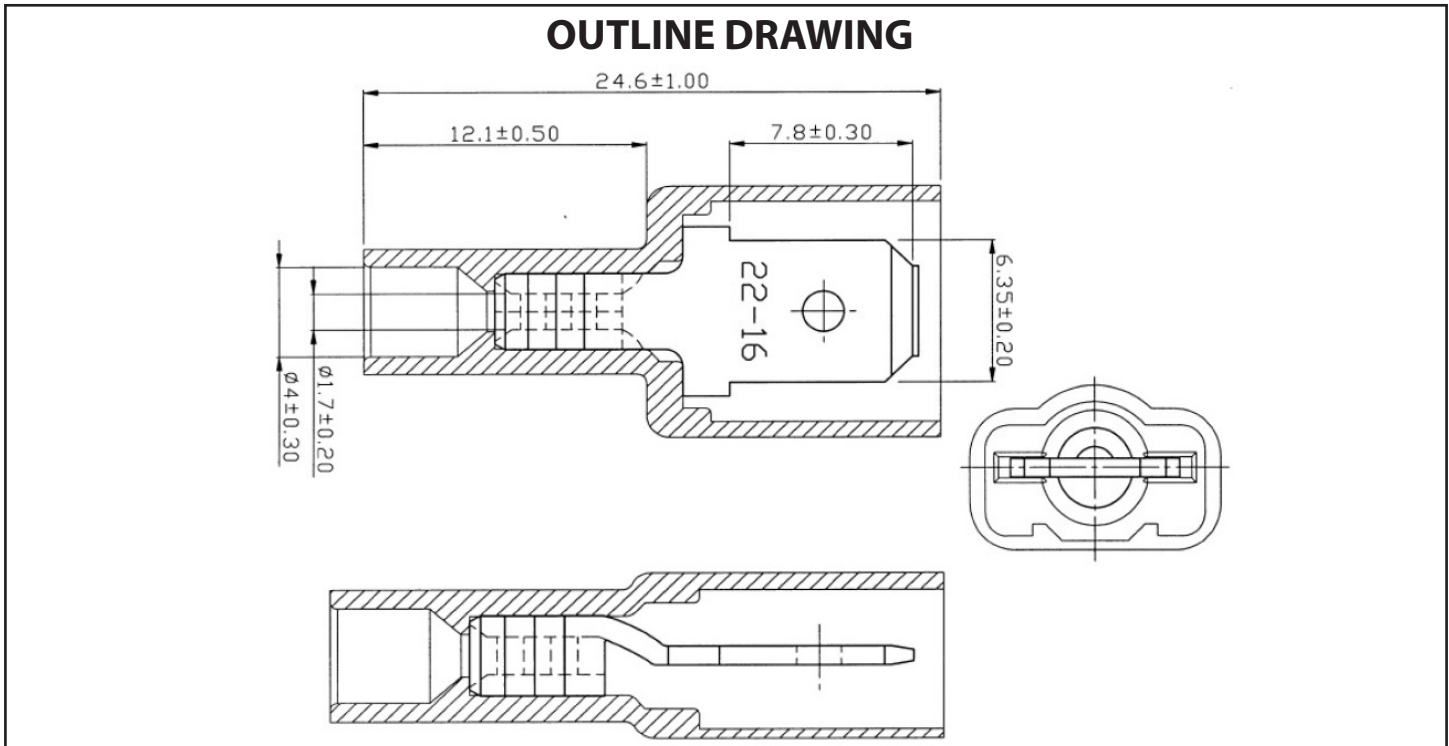




22-18 AWG .250 Nylon Single Bump Male Quick Connectors Specifications Sheet



NOTES

WIRE RANGE	INSULATION COLOUR	NEMA TAB	TERMINAL THICKNESS
22-18 AWG	Red	0.032" x 0.250"	0.80 mm
Maximum Electrical Current			
AWG	22	20	18
AMP	3	4	7
Maximum Electrical Rating	105°C 300V Max		
Insulation Material	Nylon		
Terminal Material	Brass		
Terminal Surface Treatment	Tin Plated		

