

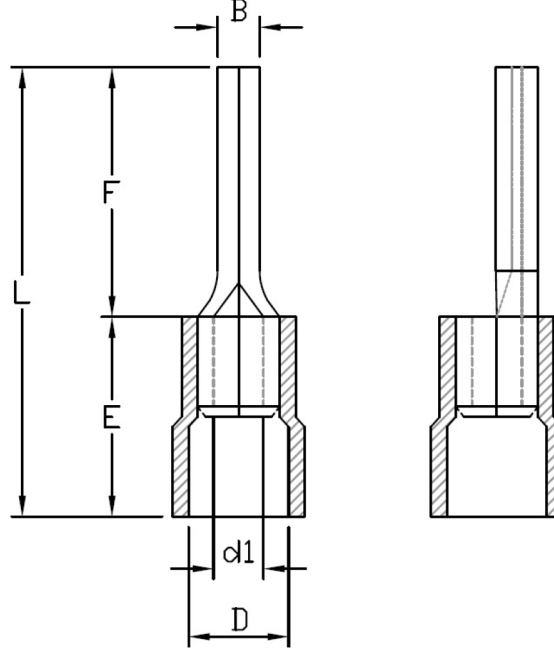


PICO®

PART # 1769, 1869,  
1969

## Pin Connectors Specifications Sheet

### OUTLINE DRAWING



Unit of Measure: mm  
Tolerance:  $\pm 0.05$

### NOTES

Part #	Wire Gauge	Colour	B $\pm 0.20$	F $\pm 1.00$	L $\pm 1.00$	E	D $\pm 0.30$	d1 $\pm 0.20$	Insulation Thickness
1769	22-18 AWG	Red	1.9	10.5	20.5	10.0	4.1	1.7	0.75
1869	16-14 AWG	Blue	1.9	10.5	20.5	10.0	4.5	2.3	0.8
1969	12-10 AWG	Yellow	2.8	13.7	26.7	13.0	6.5	3.4	1.0
Maximum Electrical Current	AWG		22	20	18	16	14	12	10
	MAX		9	12	17	18	30	35	50
Voltage Rating	600V								
Temperature Rating	75°C								
Insulation Material	Vinyl								
Conductor Material	Copper								
Plating Material	Tin								

