

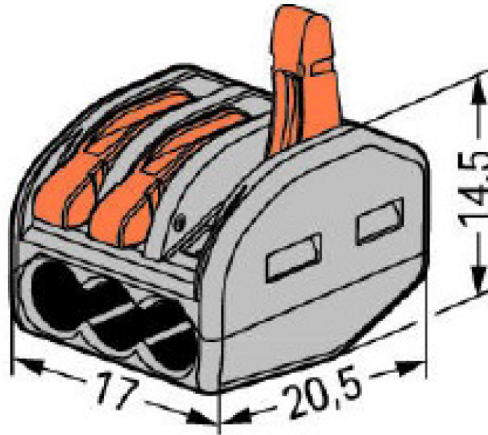


# PICO®

## PART # 1633

# 3 Conductor Lever-Nut™ Wire Connectors Specifications Sheet

### OUTLINE DRAWING



Unit of Measure: mm

### NOTES

Ratings per IEC/EN 60664-1	Geometrical Data
Ratings per: EN 60664	Width: 17 mm/0.669 inch
Rated Voltage (   / 2): 400V	Height: 14,5 mm/0.571 inch
Rated Impulse Voltage (   / 2): 4kV	Depth: 20,5 mm/0.807 inch
Rated Current: 32A	
Legend (ratings): (   / 2) Overvoltage category    / Pollution degree 2	
Connection Data	Material Data
Connection Technology: Cage Clamp®	Colour: Grey
Actuation Type: Lever	Flammability Class per UL94: V0
Connectable Conductor Materials: Copper	Fire Load: 0.088 MJ
Solid Conductor: 0,08...2,5 mm <sup>2</sup> /28...12 AWG	Weight: 4.3g
Stranded Conductor: 0,08...2,5 mm <sup>2</sup> /28...12 AWG	
Fine-Stranded Conductor: 0,08...4 mm <sup>2</sup> /28...12 AWG	
Strip Length: 9...10 mm/0.35...0.39 inch	Environmental Requirements
Total Number of Connection Points: 3	Surrounding Air (operating) Temperature: 40°C
Total Number of Potentials: 1	Continuous operating temperature: 85°C
Type of Wiring: Side-Entry Wiring	

