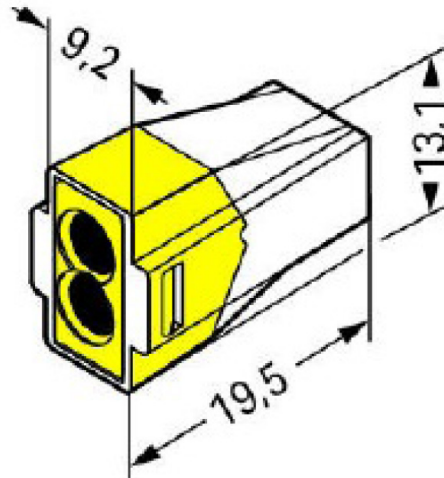




# 2 Conductor Wall-Nut™ Push Wire Connectors Specifications Sheet

### OUTLINE DRAWING



Unit of Measure: mm

### NOTES

Ratings per IEC/EN 60664-1	Geometrical Data
Ratings per: EN 60664	Width: 9,2 mm/0.362 inch
Rated Voltage (   / 2): 400V	Height: 13,1 mm/0.516 inch
Rated Impulse Voltage (   / 2): 4kV	Depth: 19,5 mm/0.768 inch
Rated Current: 24A	
Legend (ratings): (   / 2) Overvoltage category    / Pollution degree 2	
Connection Data	Material Data
Connection Technology: Push Wire®	Colour: Yellow
Actuation Type: Push-in	Flammability Class per UL94: V2
Connectable Conductor Materials: Copper, Aluminium	Fire Load: 0.037 MJ
Solid Conductor: 0,75...2,5 mm <sup>2</sup> /18...12 AWG	Weight: 1.6g
Stranded Conductor: 1,5...2,5 mm <sup>2</sup> /16...12 AWG	
Strip Length: 12 mm/0.47 inch	Environmental Requirements
Total Number of Connection Points: 2	Surrounding Air (operating) Temperature: 60°C
Total Number of Potentials: 1	
Type of Wiring: Side-Entry Wiring	

