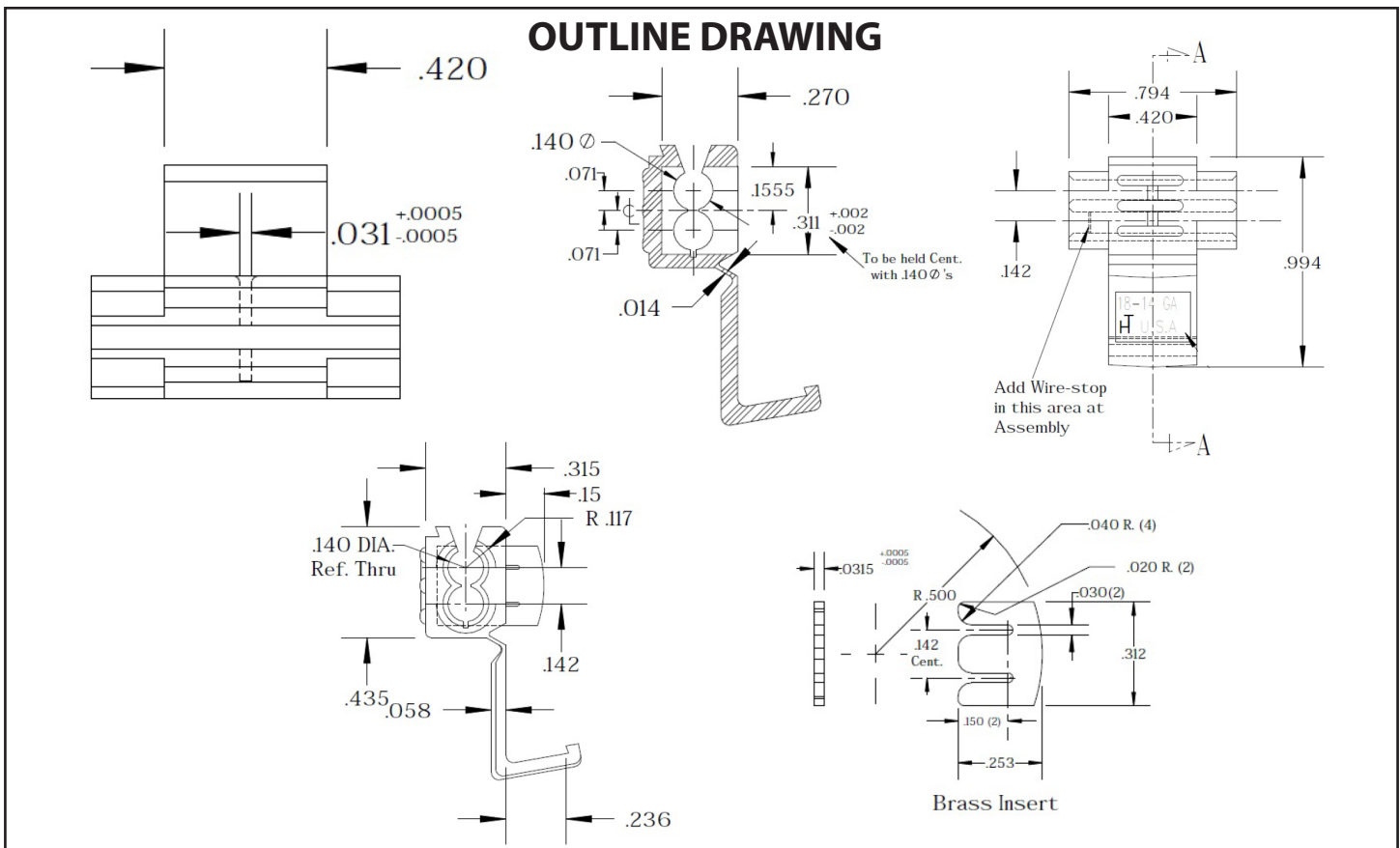




18-14 AWG Tap Connectors Specifications Sheet



NOTES

| | |
|------------------------|---|
| Gauge | 18-14 AWG |
| Rating | 105°C , 600V |
| Plastic Housing | |
| Material | Polymer PP-108 |
| Colour | Blue PP-PE |
| Brass Insert | |
| Material | Brass Full Hard Temper #8 Hard or Spring Temper |
| Finish | Electro Tin Plate |
| | |