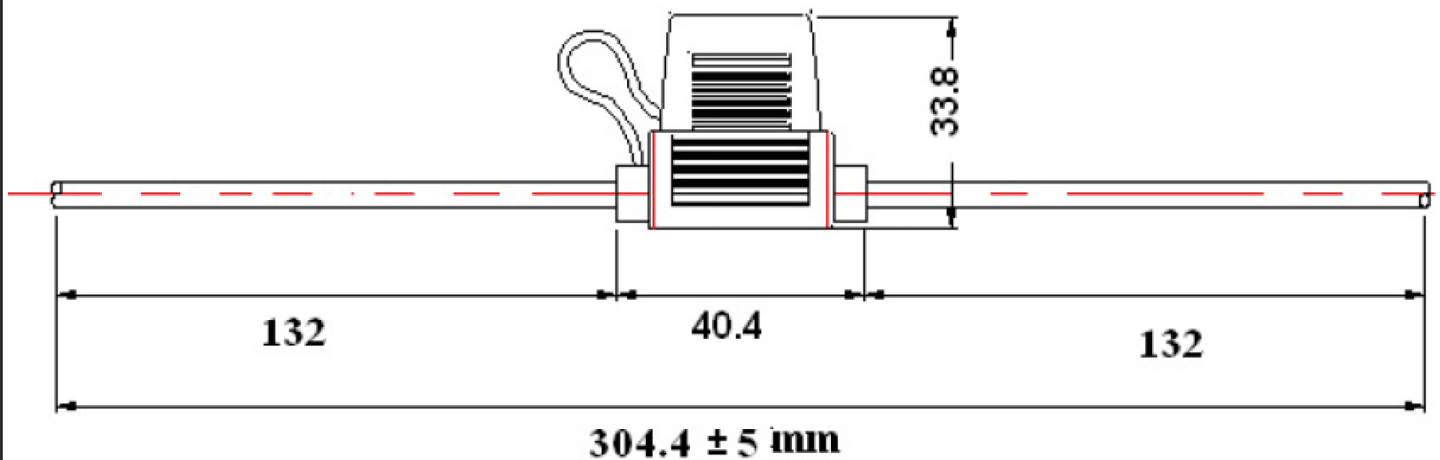




16 AWG 15A Standard Blade In-Line Fuse Holder with Cap* Specifications Sheet

OUTLINE DRAWING



Unit of Measure: mm

NOTES

Current Rating	15A 32V DC Max.
Insulation Resistance	>100 MΩ, 500V DC
Contact Resistance	5mΩ @ 1A DC
Dielectric Strength	1000V AC, 1 min
Operating Temperature	-20°C to 85°C
Body Material	TPR
Body Colour	Black
Wire	16AWG UL1015 TEW
Wire Colour	Red
Terminal Material	Tin Plated Brass



* Fuse not included