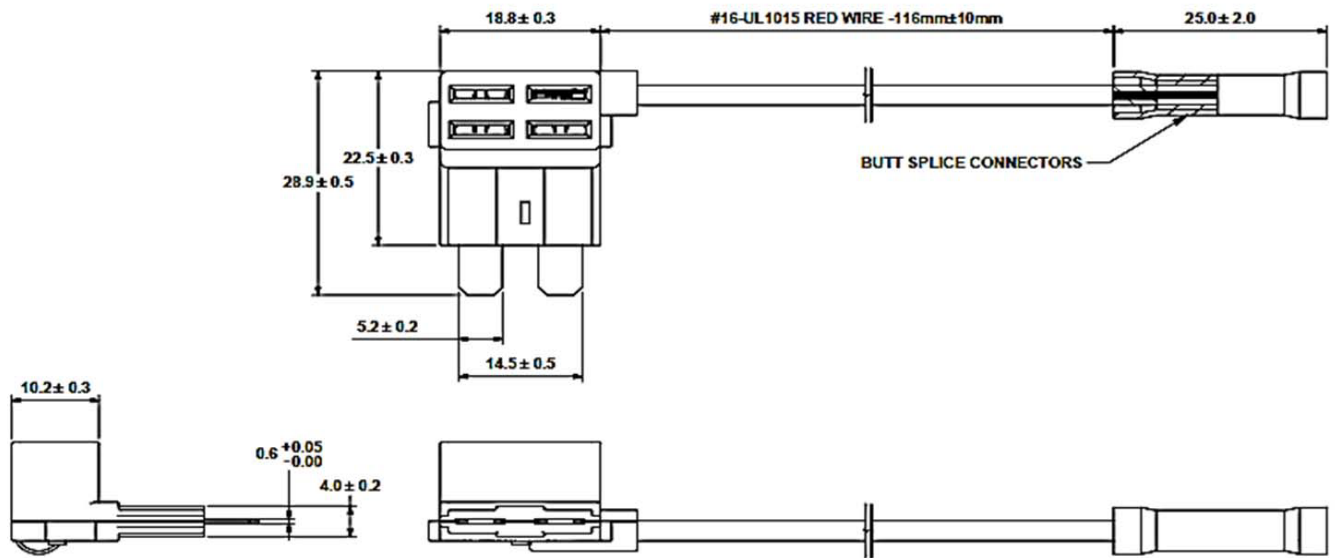




16 AWG 10A Standard Blade Add-A-Circuit Fuse Holder Specifications Sheet

OUTLINE DRAWING



Unit of Measure:

NOTES

Features	Turn one slot into two
Material	Nylon Insulated Body, Brass Tin Plated Contacts
Voltage	32V DC Max.
Wire Gauge	16 AWG
Amperage	10A Max per fuse slot
Temp. Resistance	90°C

