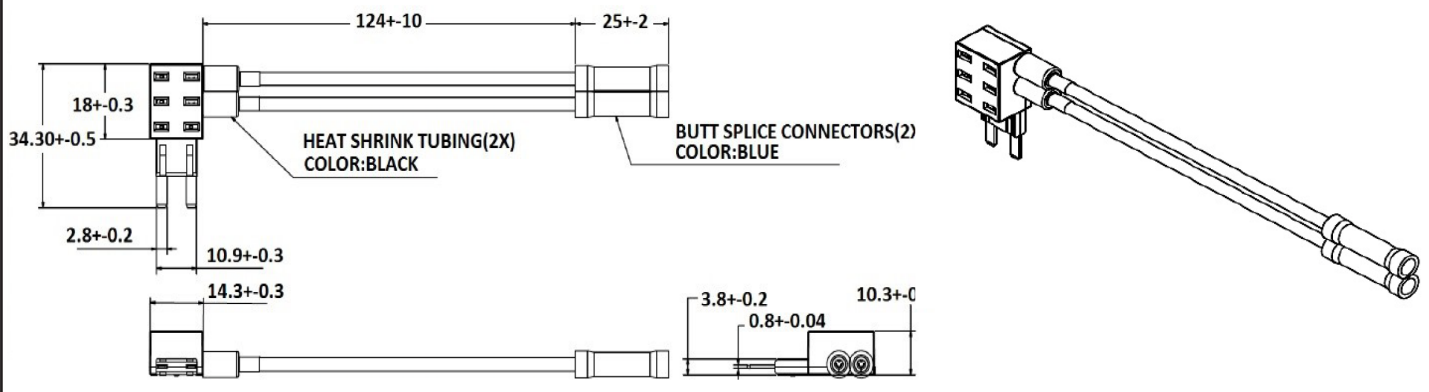




### 16 AWG 10A MIN Blade Add-Two-Circuits Fuse Holder Specifications Sheet

#### OUTLINE DRAWING



Unit of Measure: mm

#### NOTES

<b>Features</b>	Turn one slot into three
<b>Application</b>	MIN Blade Fuse
<b>Material</b>	Nylon Body & Brass with Tin Plated Terminals
<b>Colour</b>	Black Holder, Red Wires, Blue Terminals
<b>Voltage</b>	32V DC Max.
<b>Wire Gauge</b>	16 AWG
<b>Amperage</b>	10A Max per fuse slot