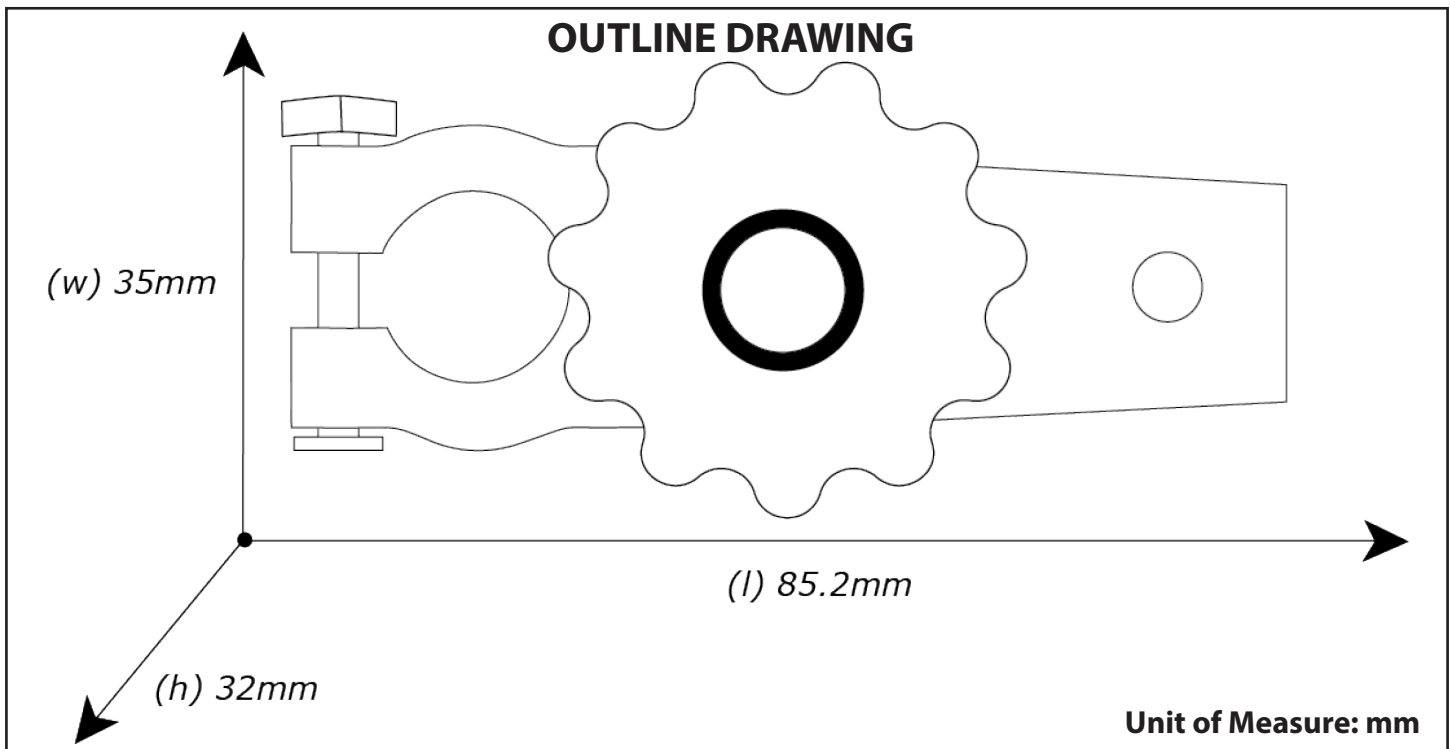




1/4" Stud Negative Brass Battery Disconnect Specifications Sheet



NOTES

Material	Brass Plated Zinc Alloy
Weight	119 g
Length	85.2 mm
Width	35 mm
Height	32 mm
Current Rating	Continuous Duty: 125A
	Momentary: 500A @ 12V