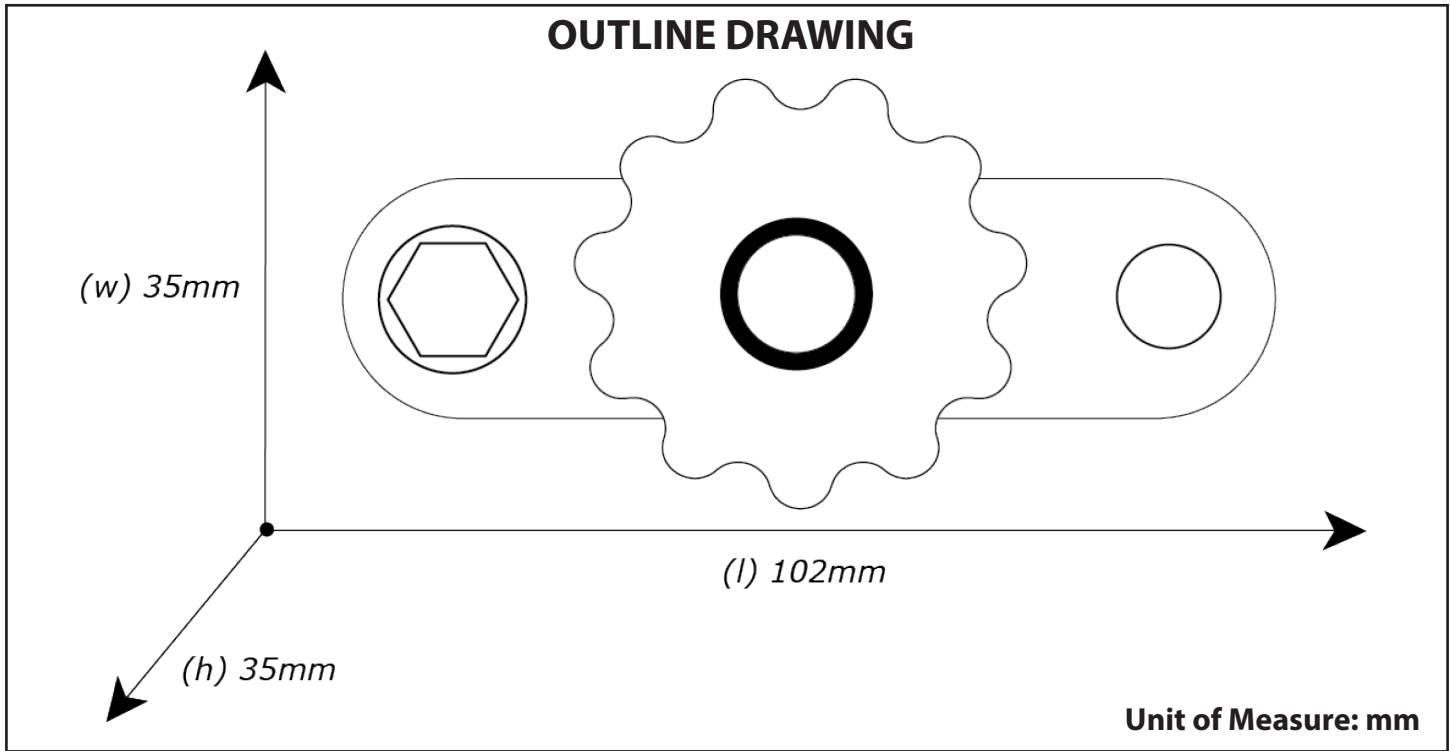




Negative Side Post Battery Disconnect Specifications Sheet



NOTES

Material	Brass Plated Zinc Alloy
Weight	153 g
Length	102 mm
Width	35 mm
Height	35 mm
Current Rating	Continuous Duty: 125A
	Momentary: 500A @ 12V