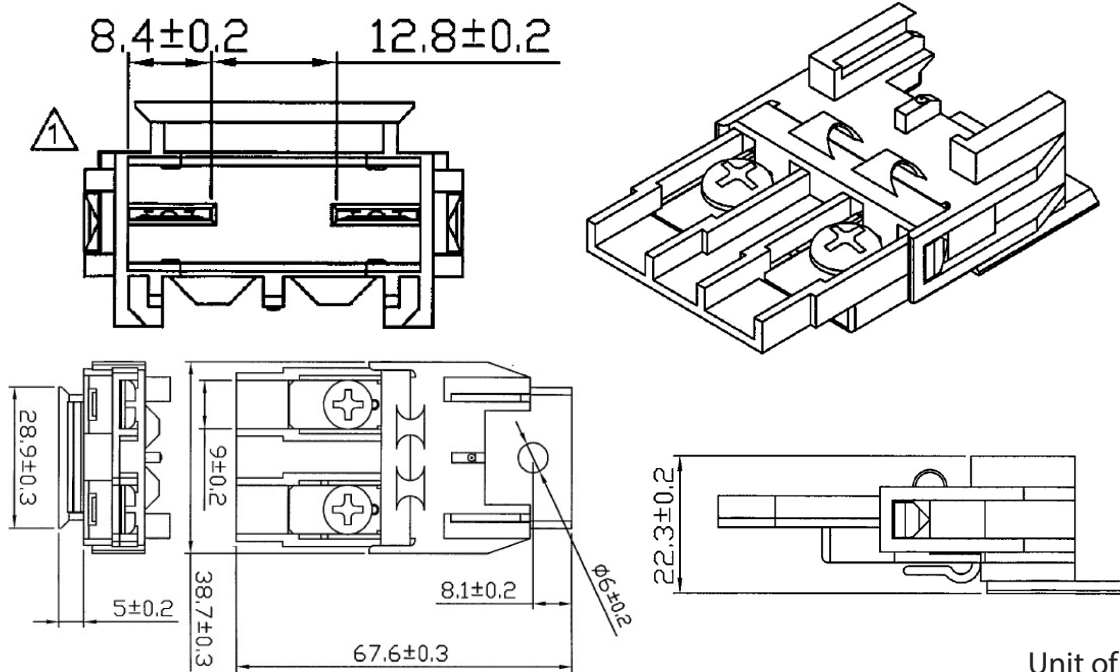




60 A MAX Blade Fuse Block Specifications Sheet

OUTLINE DRAWING



Unit of Measure: mm

NOTES

	Frame: Nylon 66 FR7025, Black	Fuse Rating (Colours)	Wire AWG
Material	Terminal: Copper	20 A (Yellow)	12 AWG
	Nut: Nickel Plated Metal	30 A (Green)	10 AWG
	Screw: M5*0.8 L = 5.8 mm	40 A (Orange)	8 AWG
		50 A (Red)	
Rating	60A MAX 12/24 32V DC	60 A (Blue)	6 AWG
Insulation Resistance	500V DC 100M ohm Min		
Dielectric Strength	1000V AC 1 minute		
Operation Temperature	-25°C to 85°C		

