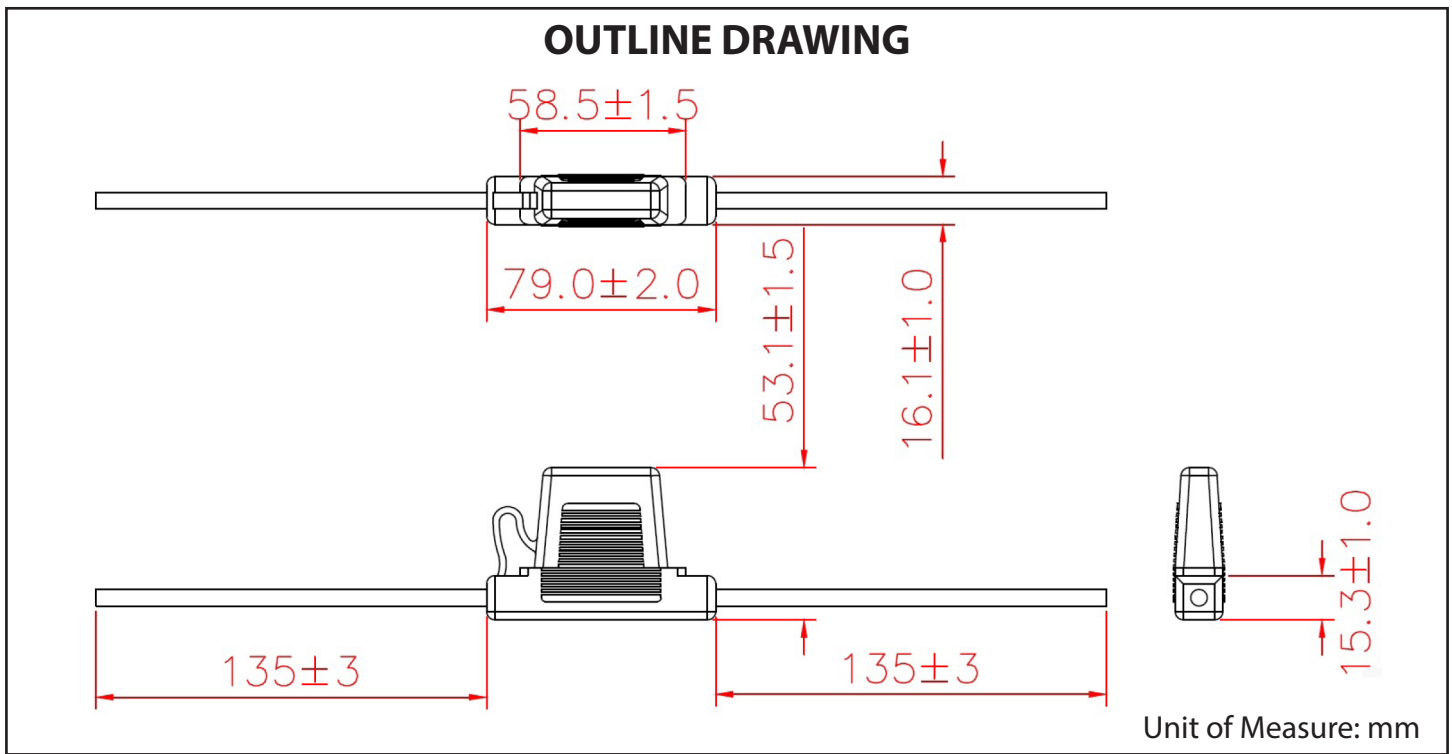




8 AWG 60A MAX Blade In-Line Fuse Holder with Cap Specifications Sheet



NOTES

Gauge	8 AWG
Electrical	60 A Max.
Insulation Body	PVC
Terminal	Brass
Wire Standard	UL 1015

