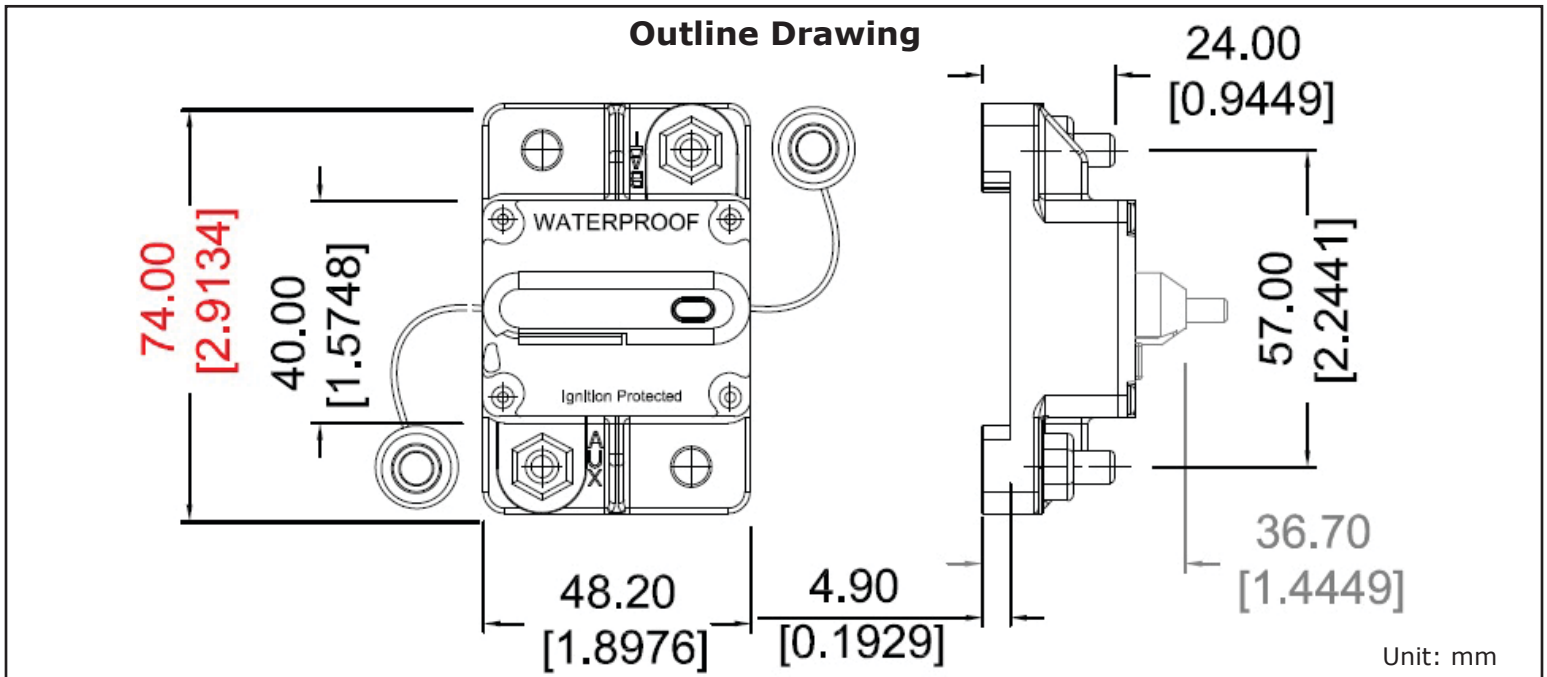




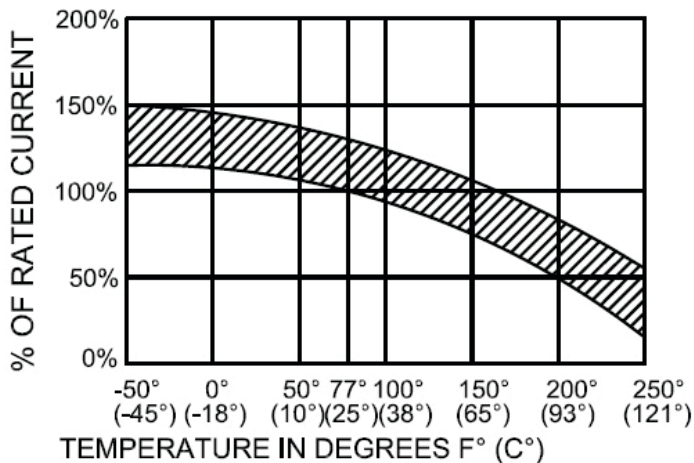
PICO®

High Amp Panel/ Surface Mount Type III Breakers Specifications Sheet

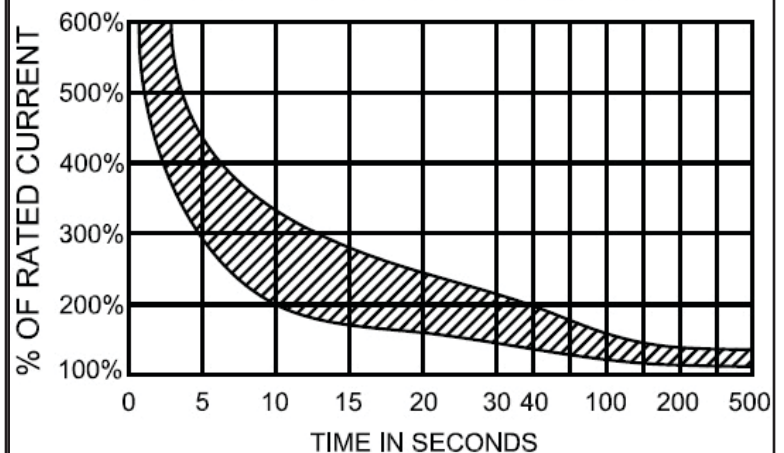


Part #	Amperage	Part #	Amperage
3450	50	3401	100
3451	60	3402	120
3452	70	3403	135
3400	80	3404	150
3453	90		

TEMPERATURE DERATING CURVES



TIME VS. PERCENT OF RATED CURRENT





PICO[®]

High Amp Panel/ Surface Mount Type III Breakers Specifications Sheet



Endurance & Interrupt Capacity

	Endurance			Interrupt
	Current	Cycles	Time	
96VDC	≤50A	2x	>100	1KA-96VDC
	≤60A	2X	>50	
72VDC	≤150A	2X	>100	2KA-72VDC
48VDC	≤100A	4X	>100	2KA-48VDC
	≤150A	2X	>100	3KA-32VDC
28VDC	≥200A	2X	>100	1.5KA-28VDC
14VDC		4X	>200	2.5KA-14VDC
		≤150A	4X	>6000

Notes

- Housing Material: UL 94V0 rated thermal plastic.
- IP 67 Rated
- Operating Temperature Range: -32°C to 82°C
- Storing Temperature: -34°C to 149°C
- Stud size: 1/4"
- Torque rating: 100in-lbs (11.3Nm)
- Meets: SAE J1428, J1625, J553, J1171, UL 1500
- 135% rated current blows within 1800 seconds
- 200% rated current blows within 60 seconds