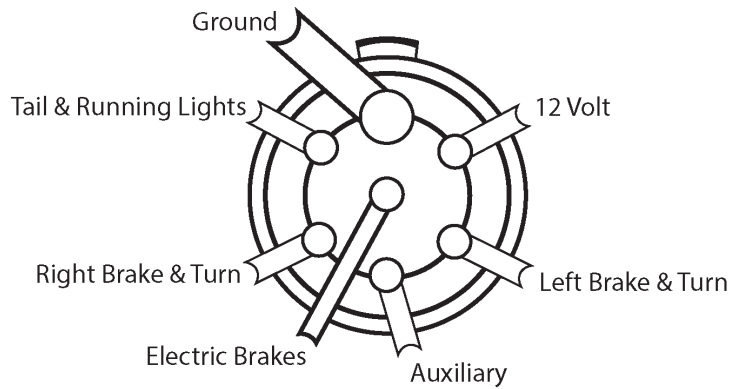
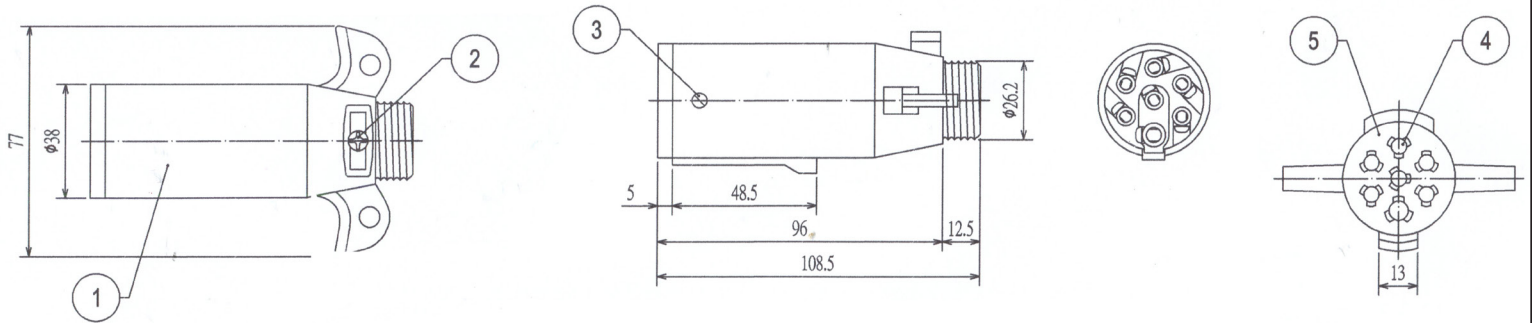




PICO®

9478 Specifications Sheet



7-WAY ROUND PLUG TRAILER END
(View from back of plug where wires attach.)

TOLERANCES:

1mm ~ 5mm: ±0.1
 6mm ~ 20mm: ±0.2
 21mm ~ 50mm: ±0.3
 51mm ~ 100mm: ±0.5
 ANGLES: ±1°

(Units of measure: mm)

| ITEM# | DESCRIPTION | MATERIAL |
|-------|-----------------|----------|
| 1 | PLUG SHELL | ZINC |
| 2 | SET SCREW | IRON |
| 3 | BASE SET SCREW | BRASS |
| 4 | 7-WAY TERMINALS | BRASS |
| 5 | TERMINAL BASE | ABS |