



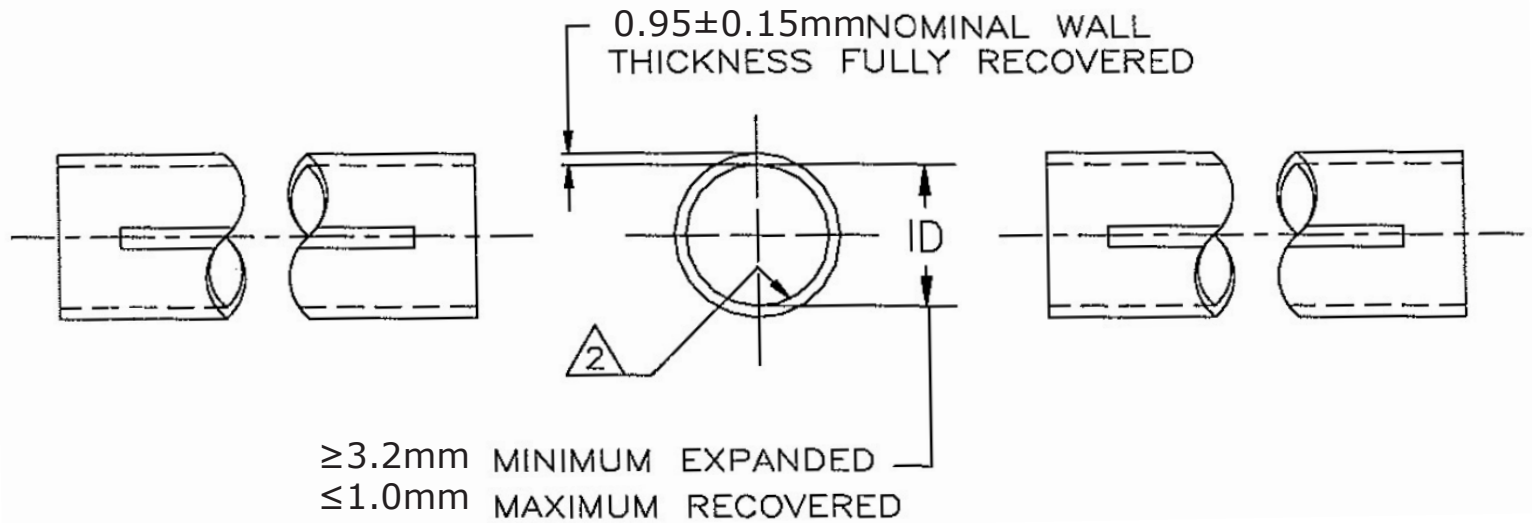
# PICO®

## 8329 Specifications Sheet

### Adhesive Lined Dual Wall 3:1 Shrink Tube

Flexible, thick adhesive lined dual wall shrink tubing manufactured by co extrusion of polyolefin and hot melt adhesive. Designed to provide both insulation and sealing.

#### Outline Drawings



#### Notes

1. Material: Black polyolefin
2. Sealant throughout total length of inside diameter.
3. Dimensions apply without sealant.

Internal Diameter:  $\geq 3.2\text{mm}$   
 Internal Diameter After Recovery:  $\leq 1.0\text{mm}$   
 Wall Thickness After Recovery:  $0.95 \pm 0.15\text{mm}$   
 Adhesive Thickness After Recovery:  $0.45 \pm 0.1\text{mm}$

Temperature Rated:  $-45^\circ\text{C} - 125^\circ\text{C}$   
 Shrink Temperature:  $125^\circ\text{C} - 200^\circ\text{C}$   
 Rated for 600V applications.

\*All colours but clear are UL approved components.



#### Technical Data

Property	Test Method	Standard
Tensile Strength (Mpa)	ASTM D2671	$\geq 10.4$
Elongation (%)	ASTM D2671	$\geq 200$
Tensile Strength After Aging (MPa)	UL 224 158°C x 168Hrs	$\geq 7.3$
Elongation At Break After Aging (%)	UL 224 158°C x 168Hrs	$\geq 100$
Dielectric Strength (kv/mm)	IEC 60243	$\geq 15$
Volume Resistivity ( $\Omega \cdot \text{cm}$ )	IEC 60093	$\geq 1 \times 10^{14}$
Water Absorption (%)	ASTM-D570	$\leq 0.2\%$
Vicat Softening Point	ASTM-E28	$95^\circ\text{C}$
Peel Strength (PE)	ASTM-D1000	120N/25mm
Peel Strength (AL)	ASTM-D1000	80N/25mm

#### Installation

PICO of Canada Ltd. offers a comprehensive selection of advanced shrink appliances that ensure process stability and repeatability.