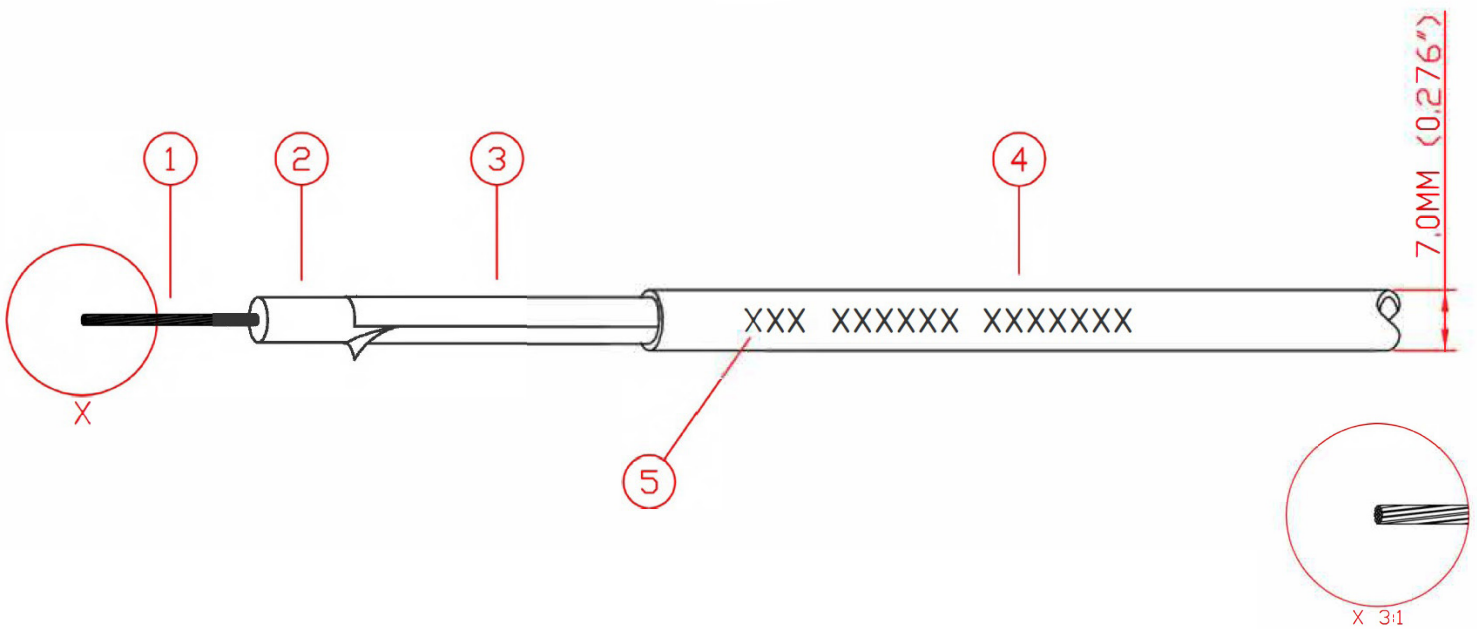


8043

Specifications Sheet

Outline Drawing



Specifications

1. Conductor: 16 GA 19 x 29 tinned copper
2. Insulation: EPDM (Natural) - OD = 0.205" (5.2mm)
3. Separator: Nylon Tape
4. Outer Jacket: Silicone (Black) - OD = 0.276" ± 0.012" (7.0mm ± 0.3mm)
5. Cable Legend: Gold Ink

Notes

- Standard: Conforms to SAE J2031 Class E, Type 1 and ISO 3808 Class E, Type 1
- Environmental Directives: Conforms to RoHS 2002/95/EC
- Bond (Strip Force): 5-15 lbs. (22-67 N)