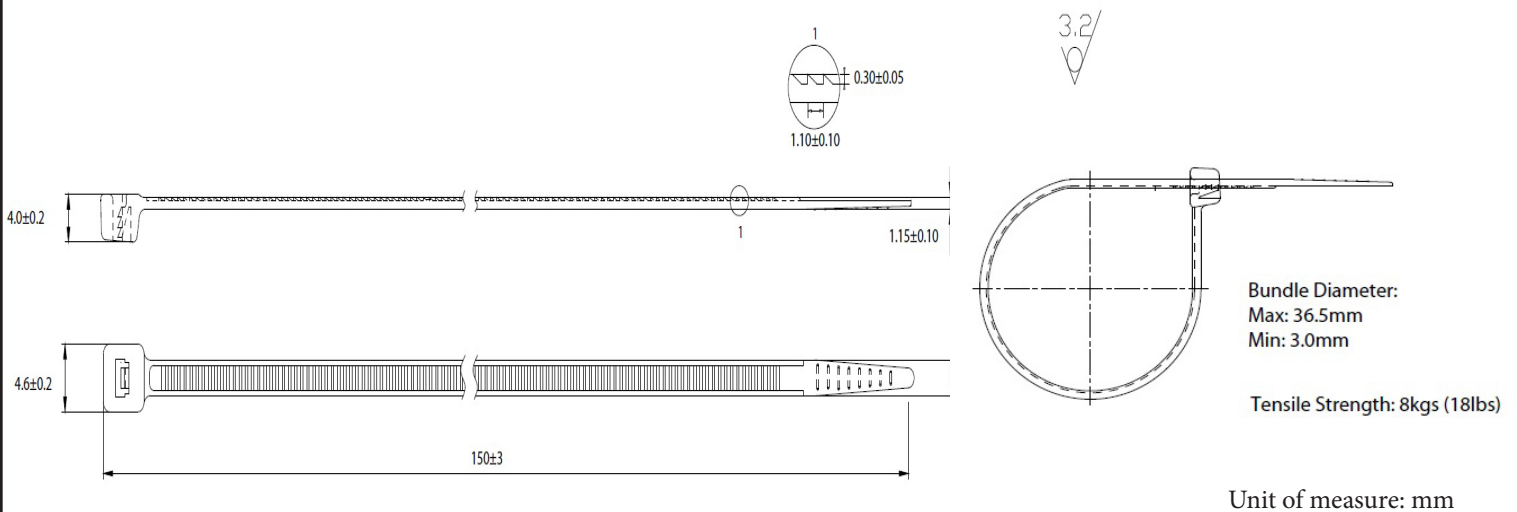


7064-0

Specifications Sheet

Outline Drawings



Specifications

- MATERIAL Black: Polyamide 6.6 natural+ ~1% carbon black
- Flammability of raw material : UL 94 - V2
- Humidity absorption: 2,7% - 2,8% (23°C - 50% R.H.)
- Installation temperature: -10°C to 85°C
- Working temperature: -40°C to 85°C
- Max sustainable temperature for short time: 110°C
- Good resistance to bases, oils, greases, oil derivates, chloride solvents. Limited resistance to acids. Not resistant to phenols.
- Carbon black addition gives a better UV resistance
- Comply with cULus 62275, and EN62275(TUV, CE), IEC62275 (DNV-GL)
- Plenum Rated AH-2