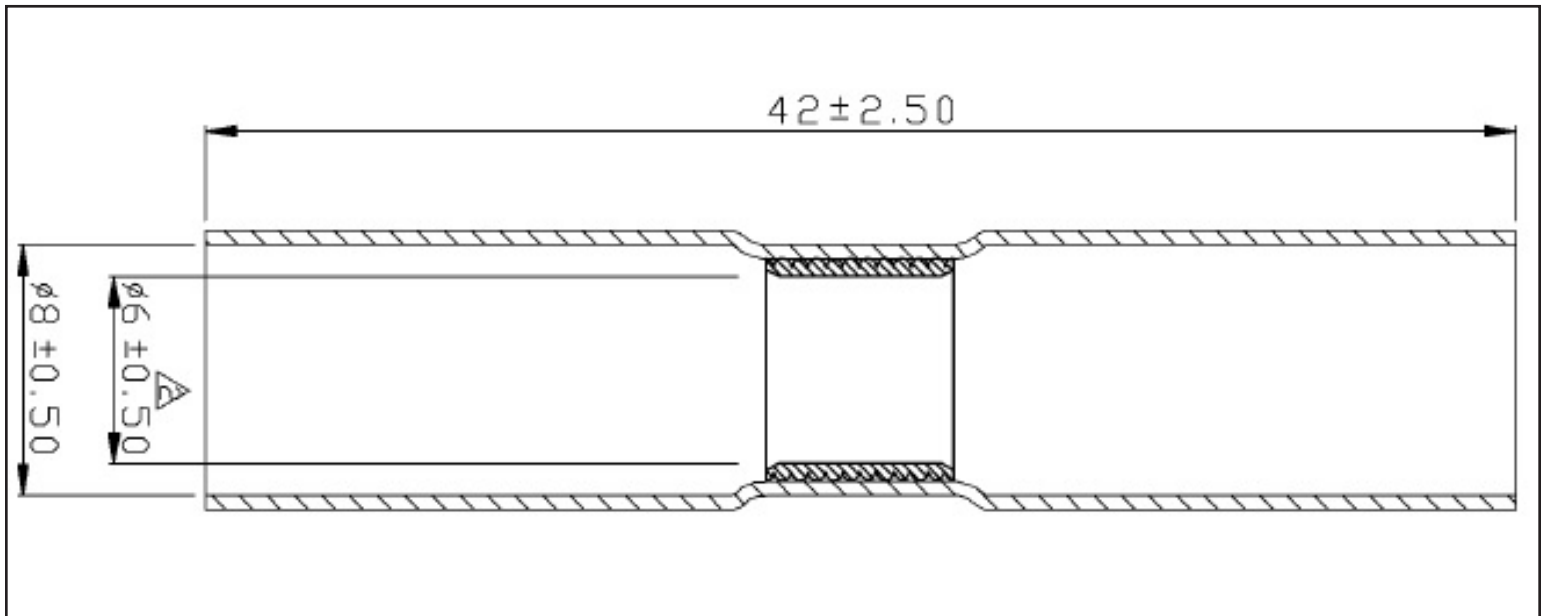




# PICO<sup>®</sup>

## 6900 Specifications Sheet



### Notes

1. Max Electrical Current: 12AWG = 35 Amp, 10AWG = 50Amp
2. Max Electrical Rating: 600 Volts
3. Shrink Temperature 150°C
4. Operating Temperature: -40°C to 105°C
5. Insulation material: High density PE
6. Insulation Colour: Yellow
7. Wire Range 12-10AWG
8. Terminal Material: Tin Tubular