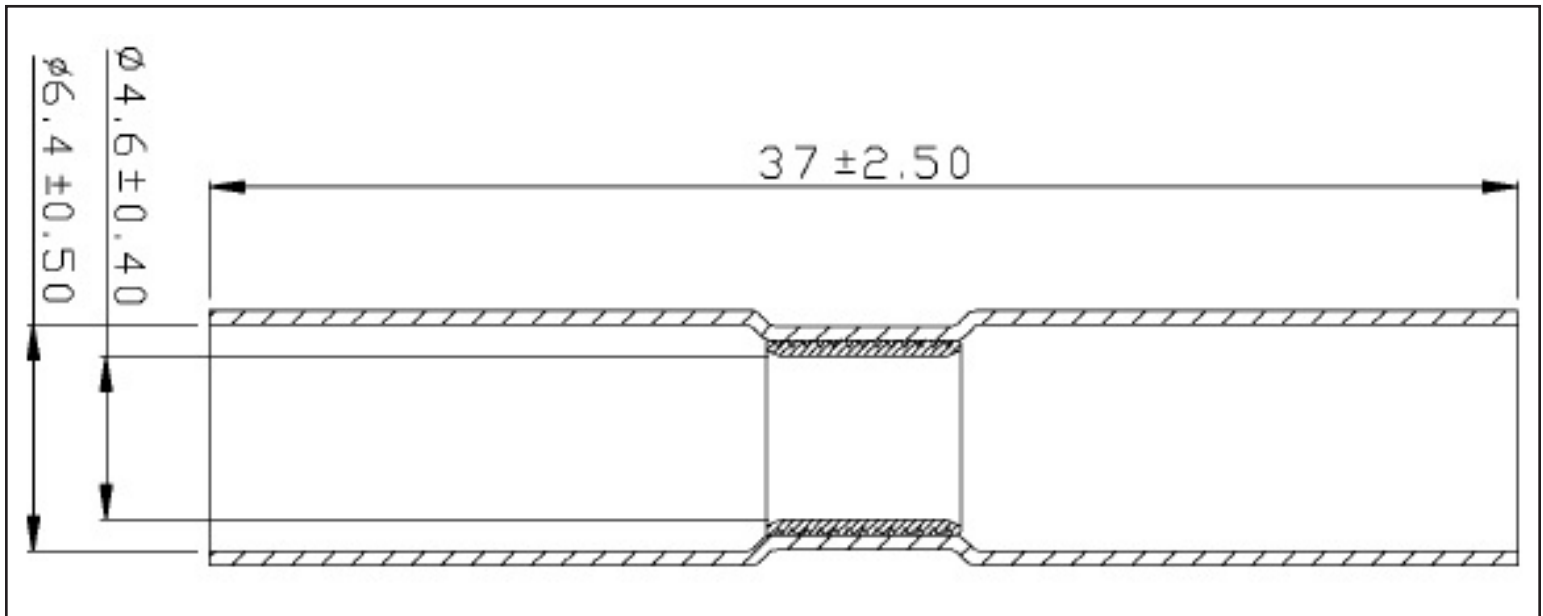




PICO[®]

6800 Specifications Sheet



Notes

1. Max Electrical Current: 16AWG = 18 Amp, 14AWG = 30Amp
2. Max Electrical Rating: 600 Volts
3. Shrink Temperature 150°C
4. Operating Temperature: -40°C to 105°C
5. Insulation material: High density PE
6. Insulation Colour: Blue
7. Wire Range 16-14AWG
8. Terminal Material: Tin Tubular