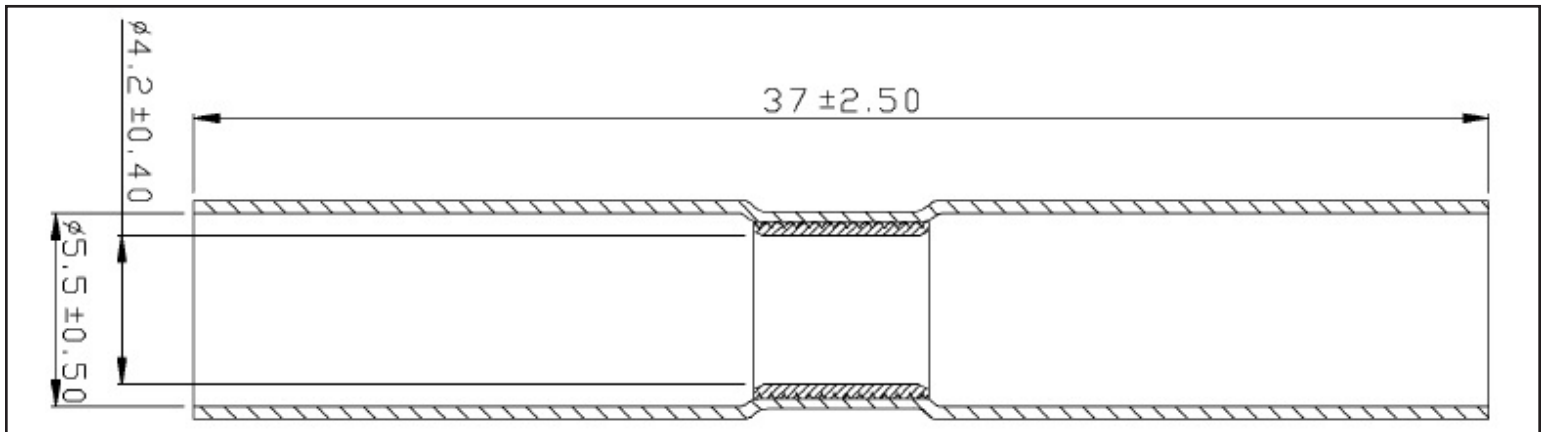




# PICO<sup>®</sup>

## 6700 Specifications Sheet



### Notes

1. Max Electrical Current: 22AWG = 9 Amp, 20AWG = 12Amp, 18AWG = 17 Amp
2. Max Electrical Rating: 600 Volts
3. Shrink Temperature 150°C
4. Operating Temperature: -40°C to 105°C
5. Insulation material: High density PE
6. Insulation Colour: Red
7. Wire Range 22-18AWG
8. Terminal Material: Tin Tubular