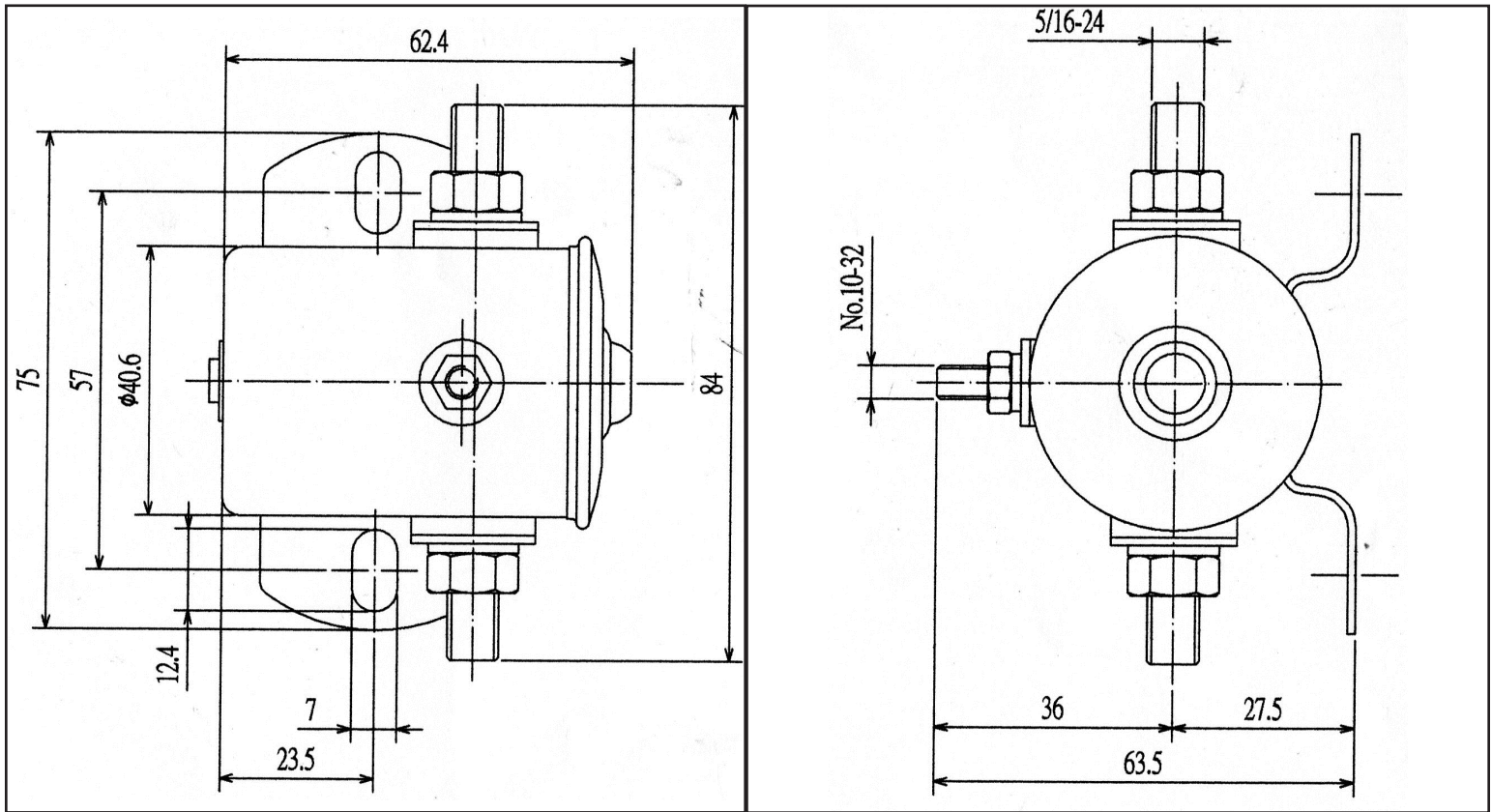




PICO[®]

9499 Specifications Sheet

Outline Drawings



Specifications

Part #	Carry Amps	Intermittent Amps	Coil Volts	Coil OHMS	Pick up Volts	Load Terminals	Coil Terminals
9499-11	100	100	12V	16	8	5/16-24	No. 10-32