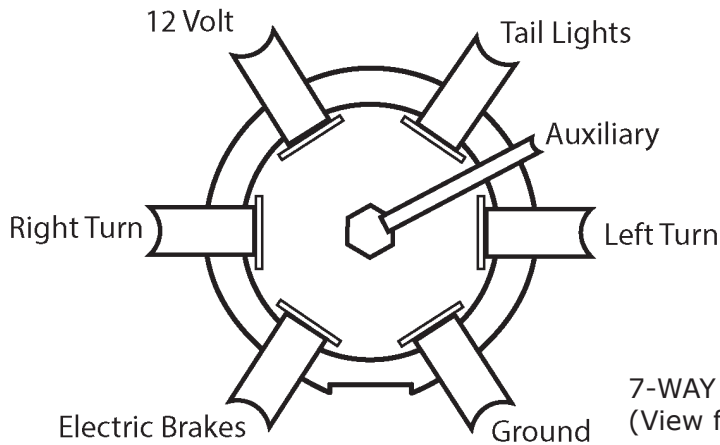
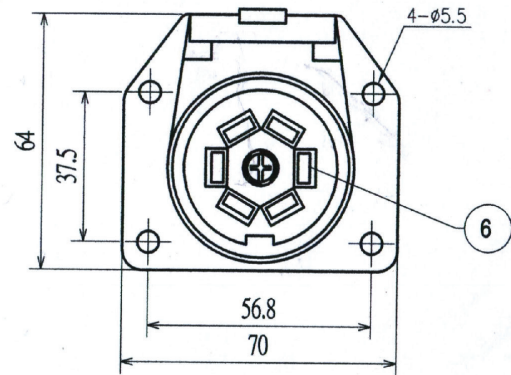
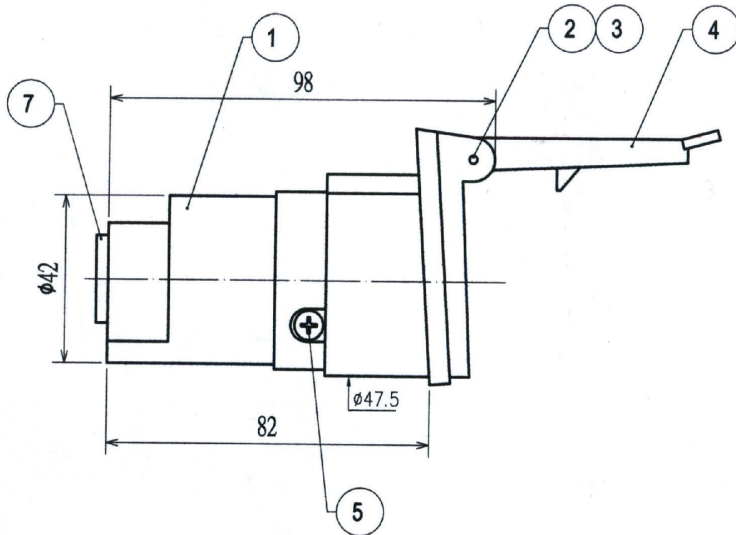




PICO®

9483 Specifications Sheet



7-WAY BLADE PLUG CAR END
(View from back of plug where wires attach.)

TOLERANCES:

1mm ~ 5mm: ±0.1
 6mm ~ 20mm: ±0.2
 21mm ~ 50mm: ±0.3
 51mm ~ 100mm: ±0.5
 ANGLES: ±1°

(Units of Measure: mm)

ITEM#	DESCRIPTION	MATERIAL
1	SOCKET SHELL	ABS
2	HINGE PIN	IRON
3	SPRING	STAINLESS STEEL
4	COVER	ABS
5	SET SCREW	IRON
6	7-WAY TERMINAL	BRASS
7	WIRE BOOT	PVC