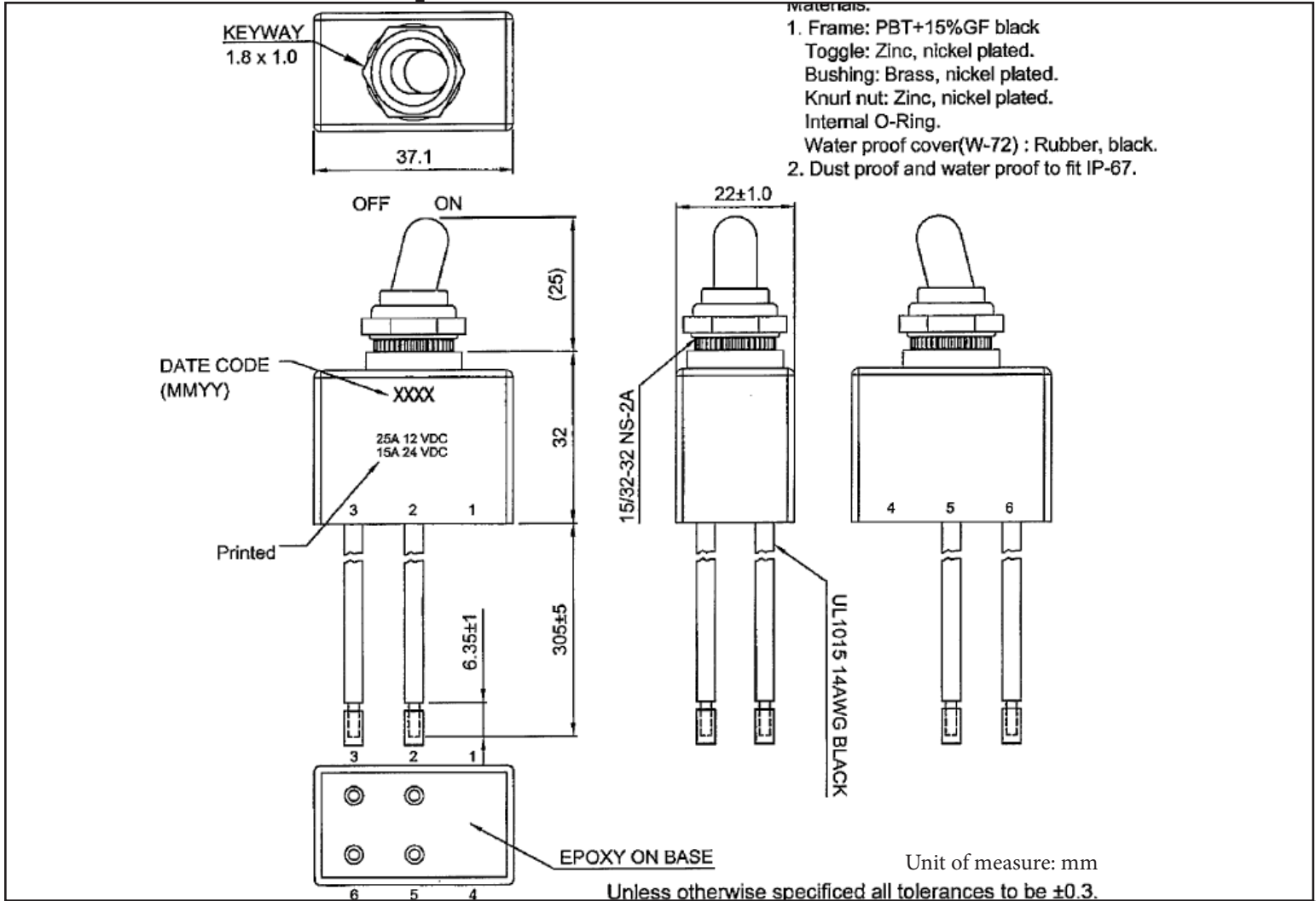




# PICO®

## 9462 Specifications Sheet



- Materials:
1. Frame: PBT+15%GF black  
Toggle: Zinc, nickel plated.  
Bushing: Brass, nickel plated.  
Knurl nut: Zinc, nickel plated.  
Internal O-Ring.  
Water proof cover(W-72) : Rubber, black.
  2. Dust proof and water proof to fit IP-67.

Specifications	
Rating	25A 12VDC
	15A 24VDC
Contact Resistance	50m ohm Max.
Insulation Resistance	DC 500V 100M ohm Min.
Dielectric Strength	AC 1500V 1 minute
Operation Temperature	-40° to 85°
Switch Function	4P DPST OFF-ON

