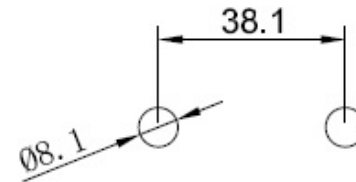
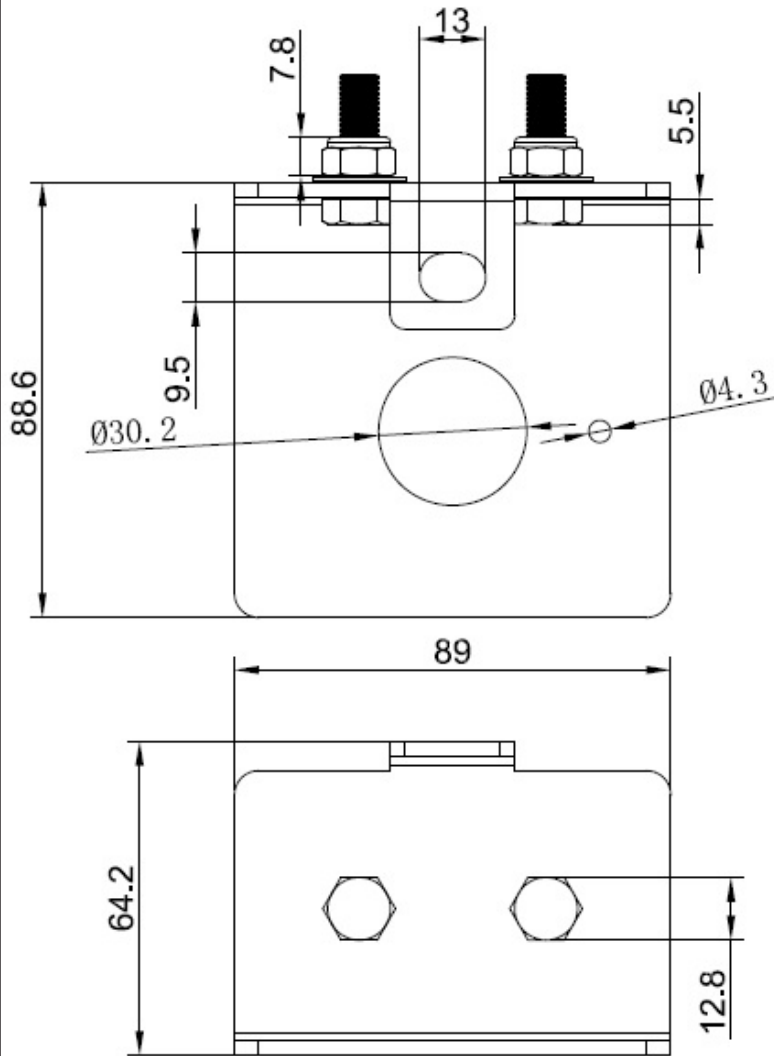


# 9458 Specifications Sheet



**MOUNTING HOLE PATTERN**  
 (\*Mounting Hole Sizes refer to product, Installation tolerance needs to be considered)

