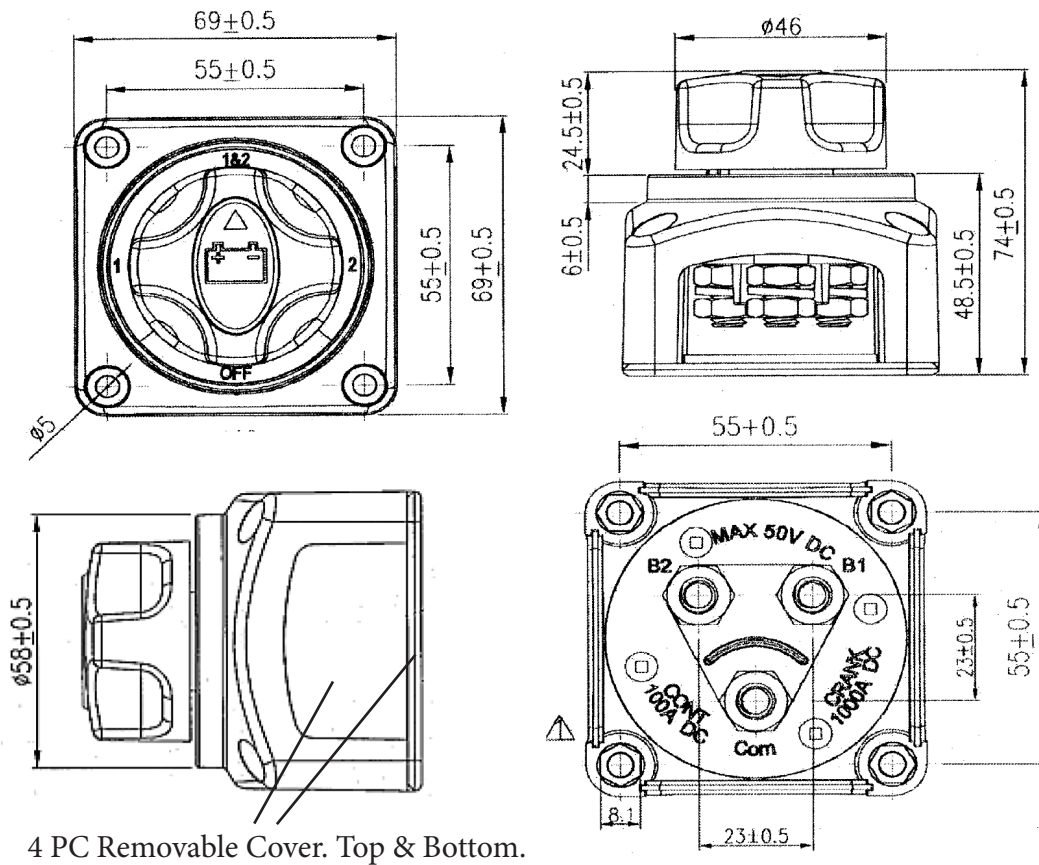




PICO[®]

9457 Specifications Sheet

Outline Drawing



Unit of Measure : mm

Specifications		Circuitry		Mounting	
Continuous Rating	100 Amps	OFF		A	B
Intermittent Rating	300 Amps				
Cranking Rating	1000 Amps			1	
Switch Function	1 / 1&2 / 2 / OFF				
Voltage	12-15V			2	
Key	Knob	1&2			