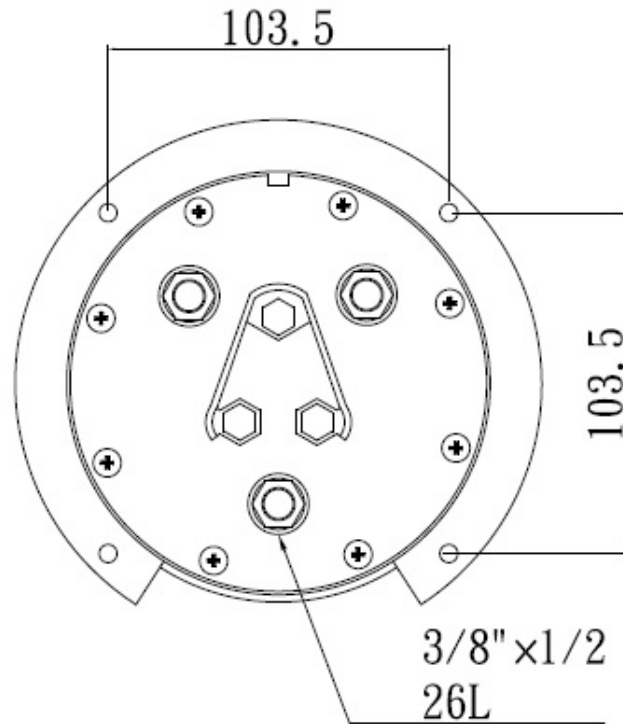
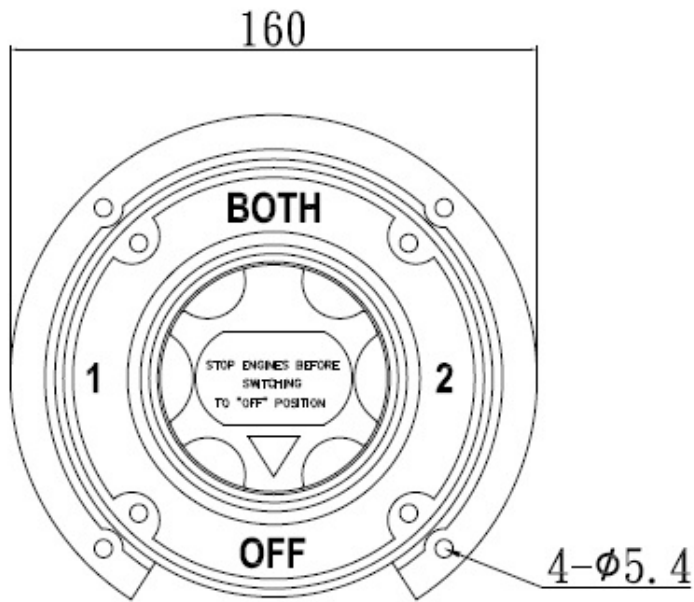
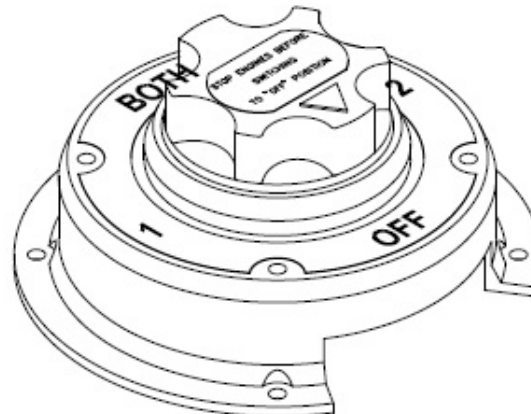
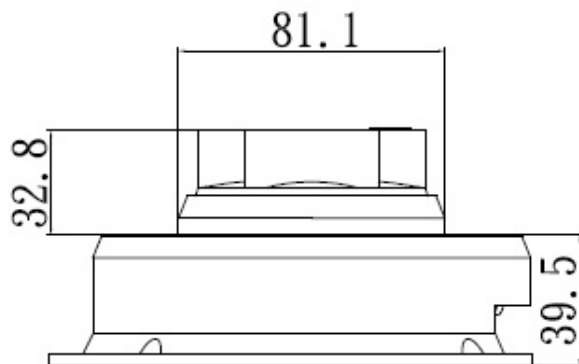
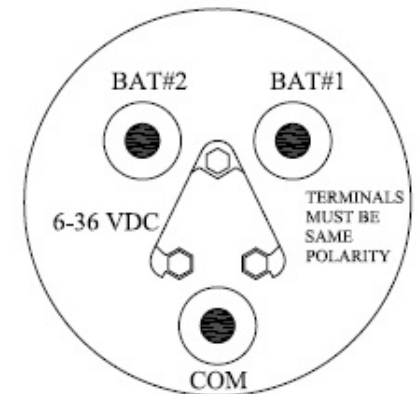


# 9455 Specifications Sheet



MOUNTING HOLE PATTERN

(※Mounting Hole Sizes refer to product, installation tolerance needs to be considered)



	OFF	1	1+2	2
COM-BAT#1		█	█	
COM-BAT#2			█	█
BAT#1-BAT#2			█	