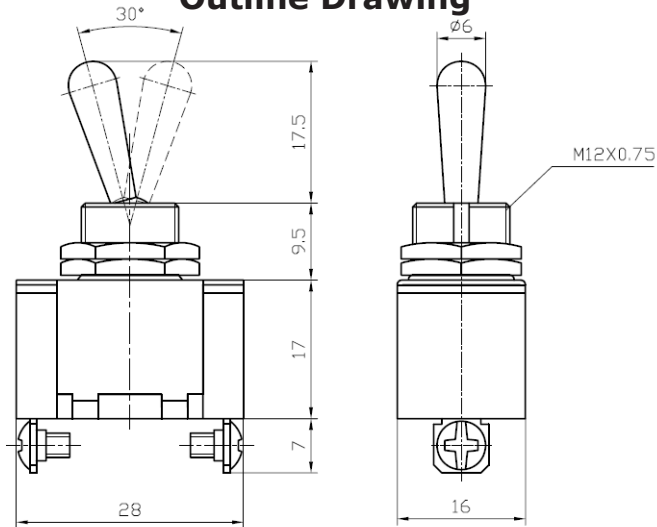




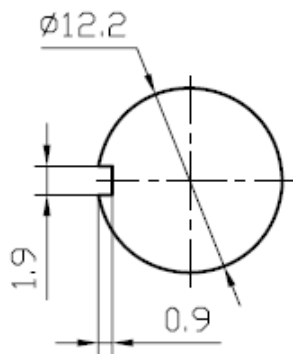
PICO®

9431 Specifications Sheet

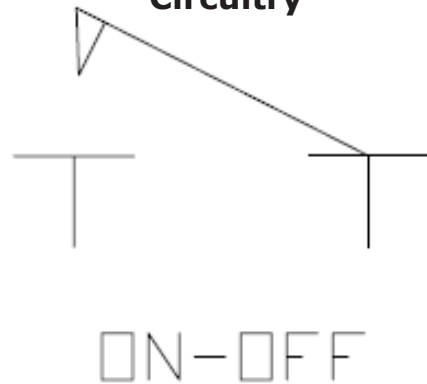
Outline Drawing



Mounting



Circuitry



Specifications

- (Rating): 15A 125V AC/ 10A 250V AC
- (Contact Rating): 50m Ω max
- (Insulation Rating): 500V DC 1000M Ω min
- (Dielectric Strength): 1 Minute 1500V AC
- (Operating Temperature): -25°C - +85°C
- (Electrical Life): 10,000 Cycles