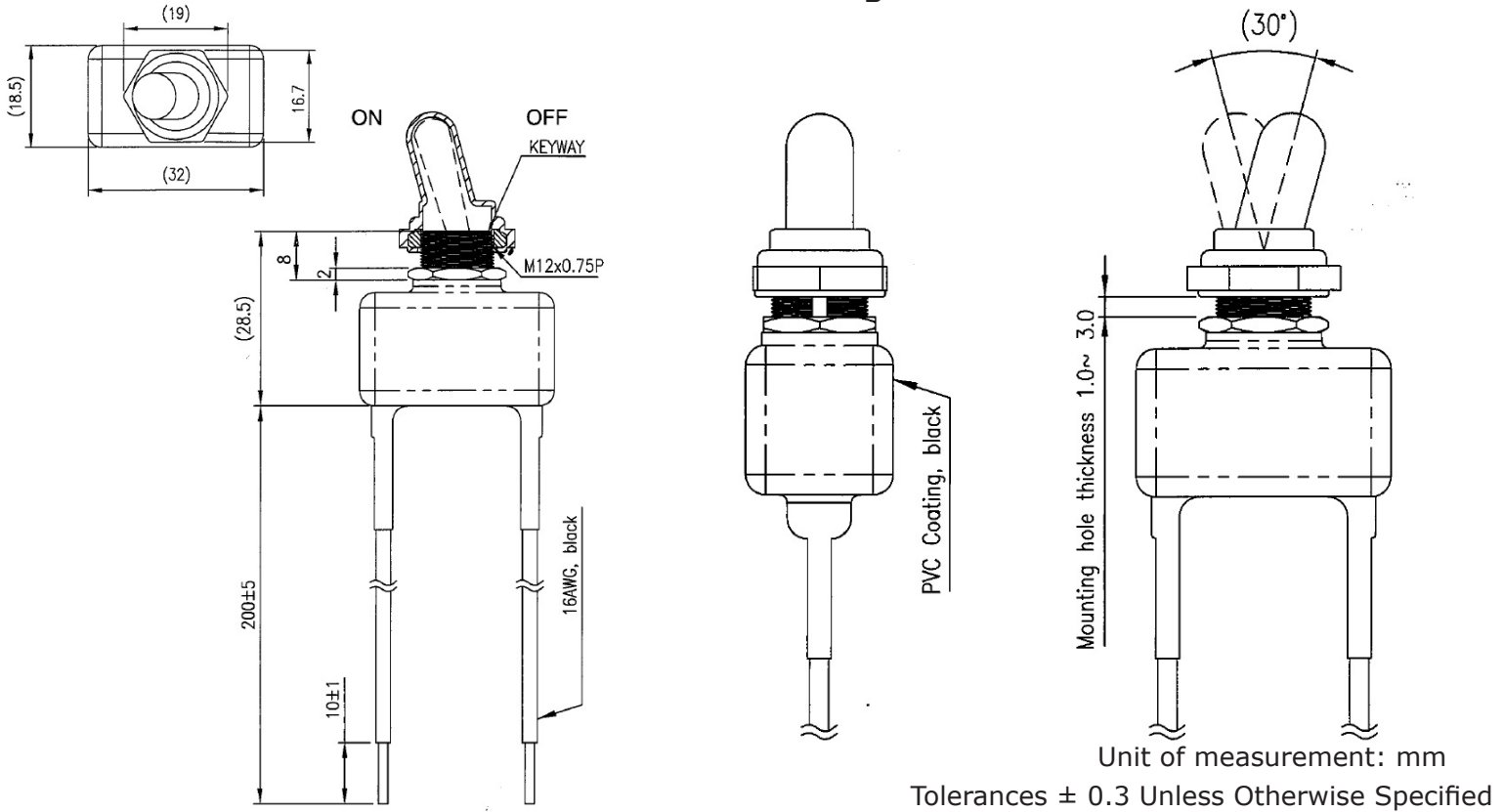




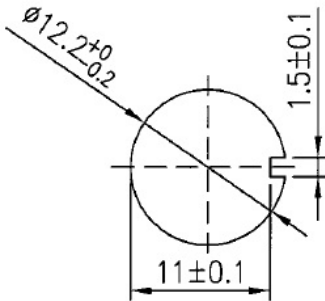
PICO®

9427 Specifications Sheet

Outline Drawing



Mounting Hole



Circuit Diagram



Specifications

| | |
|-----------------------|------------------------|
| Rating | 25A 12V DC; 12A 24V DC |
| Contact Resistance | 50m ohm Max |
| Insulation Resistance | DC 500V 100M ohm Min |
| Dielectric Strength | AC 1500V 1 minute |
| Operation Temperature | 0°C ~ 65°C |
| Switch Function | 2P SPST ON-OFF |

Notes

- PVC Coated Body
- Contains: 1 HEX Nut & 1 Rubber Boot
- HEX Nut & Rubber boot installed on switch