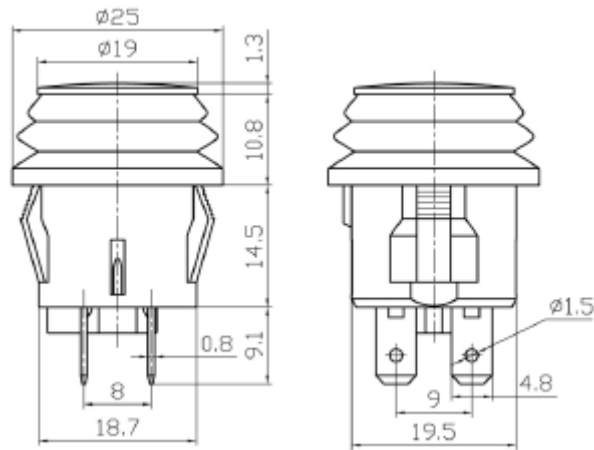




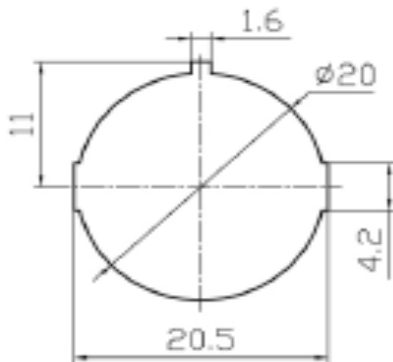
PICO[®]

9416-1, 9416-3, 9416-5, 9416-7 Specifications Sheet

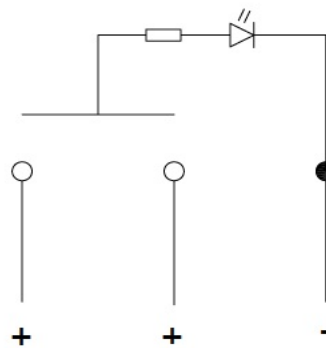
Outline Drawing



Mounting



Circuitry



Specifications

- (Rating): 20A 12V DC
- (Contact Rating): 50mΩ max
- (Insulation Rating): 500V DC 100MΩ min
- (Dielectric Strength): 1 Minute 1500V AC
- (Operating Temperature): -25°C - +85°C
- (Electrical Life): 10,000 Cycles