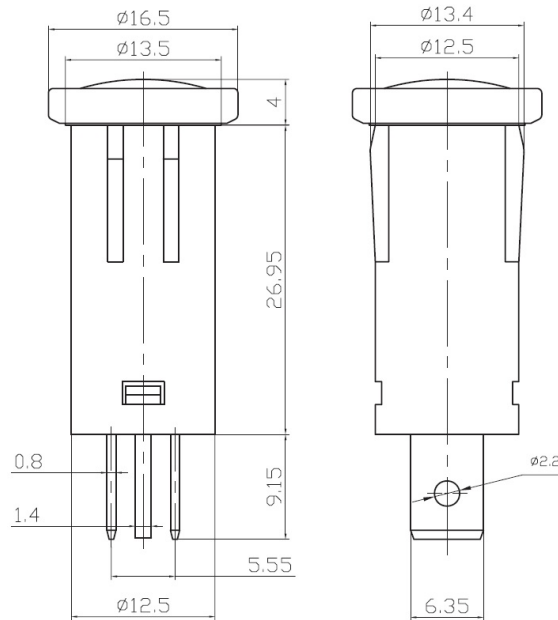




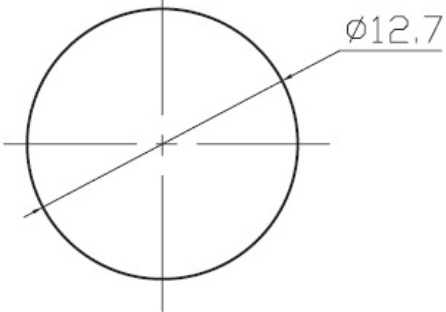
PICO[®]

9414, 9414-1, 9414-3, 9414-7 Specifications Sheet

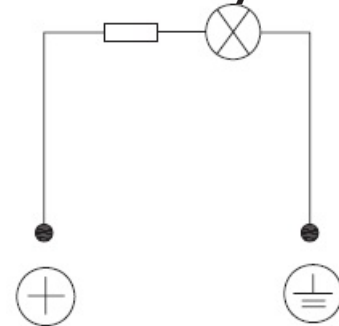
Outline Drawing



Mounting



Circuitry



Specifications

- (Rating): 12 VDC; 110 VAC/ 220VAC