

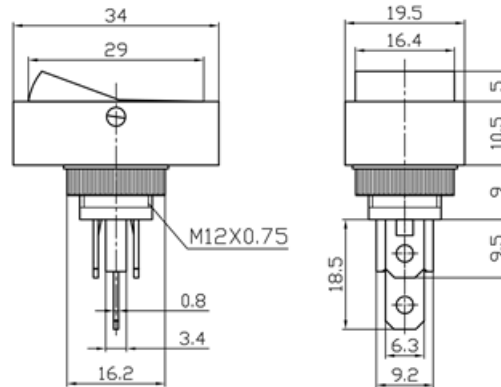


PICO[®]

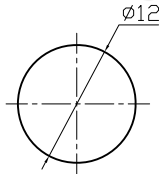
9412-0, 9412-1, 9412-3, 9412-5, 9412-7

Specifications sheet

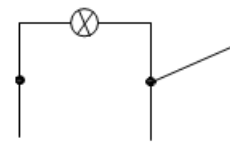
Outline Drawing



Mounting



Circuitry



Specifications

- (Rating): 20A 12V DC
- (Contact Rating): 50m Ω max
- (Insulation Rating): 500V DC 100M Ω min
- (Dielectric Strength): 1 Minute 1500V AC
- (Operating Temperature): -25°C - +85°C
- (Electrical Life): 10,000 Cycles