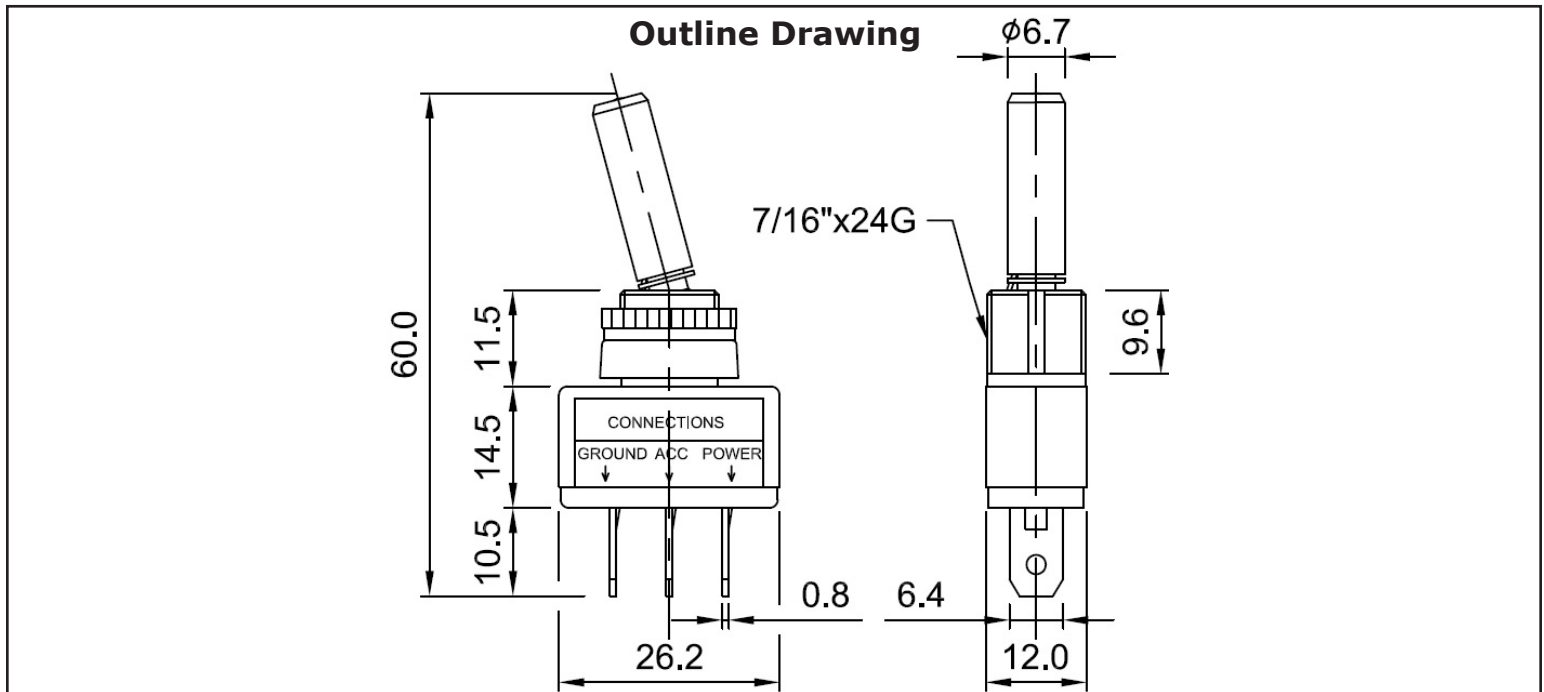


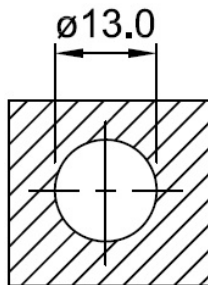


PICO[®]

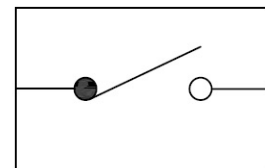
9403 Specifications Sheet



Mounting



Panel Aperture



Specifications

- (Rating): 10A 12V DC
- Single Pole Single Throw Switch
- 2 Position Off - On
- 3 Blade Terminals
- Mounting Stem: 7/16" Diameter, 7/16" Long
- Red LED (Activated When In On Position)