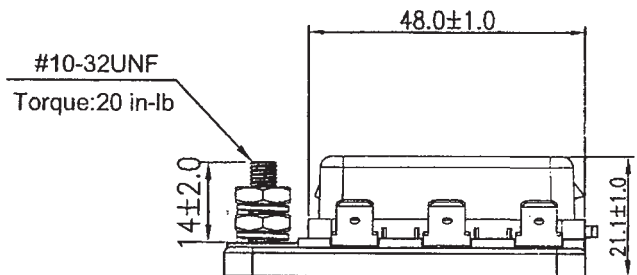
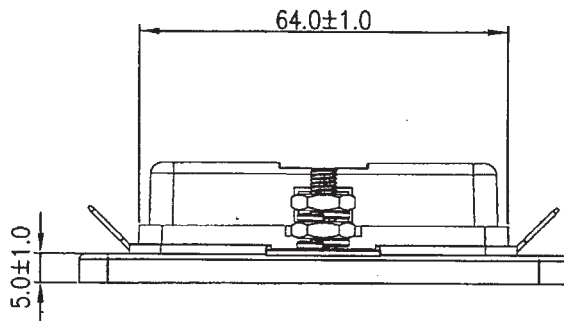
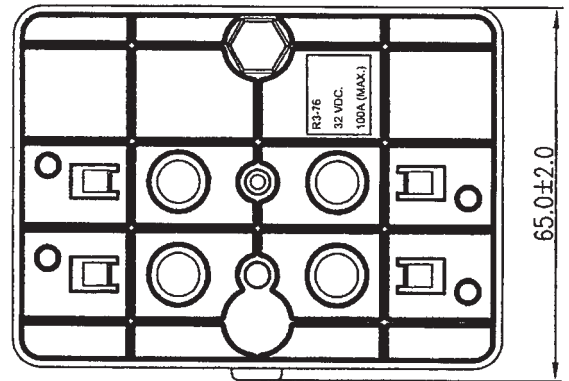
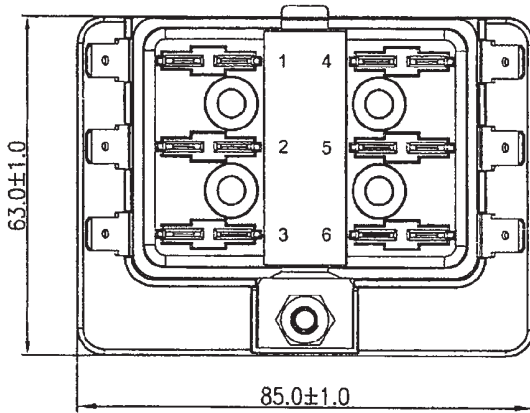




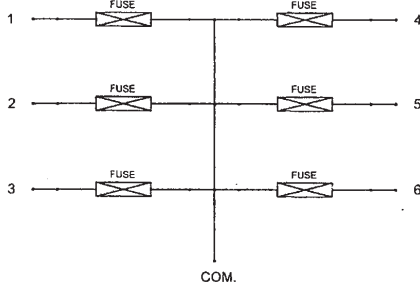
PICO[®]

3410 Specifications Sheet

Outline Drawings



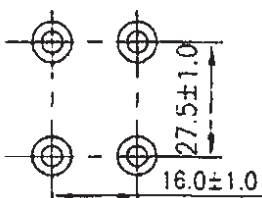
Circuit Diagram



Specifications

Voltage (Max.)	32 VDC
Input Terminal Rating	#10-32 threaded studs (100A max. tested by 4 pcs. 25A load)
Output Terminal Rating	30A max. per circuit
Connection Pad Option Available	Input wire size: #4-6 AWG Output wire size: #12-16 AWG
Fuse Specifications	For Standard Blade Fuses Only
Torque Rating	20 in-lb (2.25Nm) max.
Mounting Torque Rating	8 in-lb (0.9Nm) max.
Temperature Rating	-20°C to 85°C
Material	Housing, Base: PBT (Black) Push Button: POM (White) Terminal: Tin Plated Copper

Mounting Holes



Tab Dimensions



Only for EP056