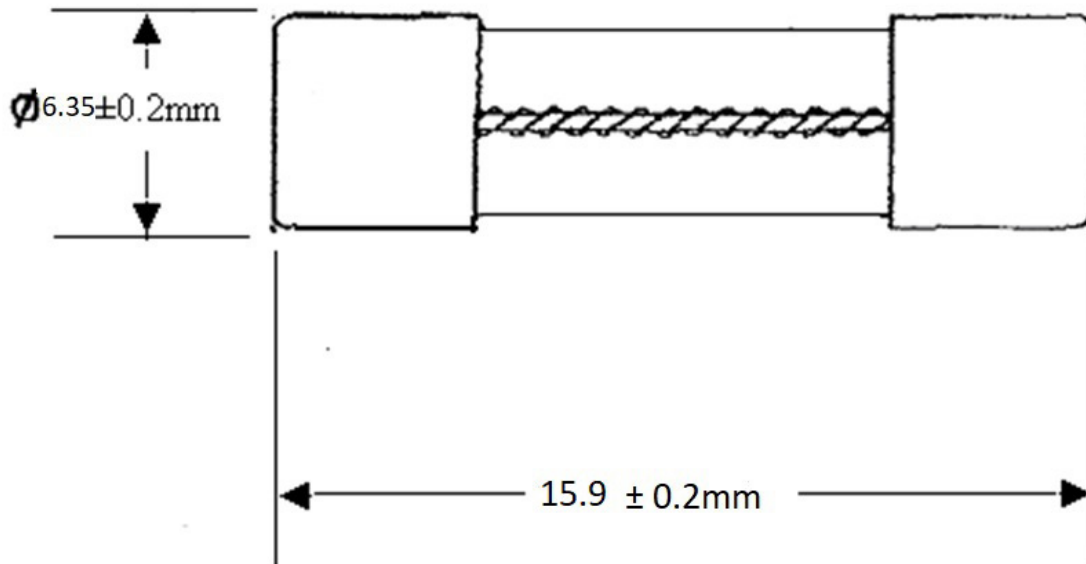




PICO®

9730-9742 Specifications Sheet

Outline Drawings



Unit of measure: mm
Tolerance ± 0.2

Time Current Characteristics

Rated Current	N. In	1.1 in	1.35 in	2 in
	1A ~ 30A	Min 4h	Max 3600 s	Max 120 s

Description

Part #	Amp	Part #	Amp
9730-14	1	9737-14	7.5
9731-14	1.5	9738-14	10
9732-14	2	9739-14	15
9733-14	2.5	9740-14	20
9734-14	3	9741-14	25
9735-14	5	9742-14	30
9736-14	6		

General Specifications

- Fuse Type: AGA
- Blowing Characteristics: Fast acting
- Body Material: Glass
- Cap Material: Brass With Nickel Finish
- Voltage Rating: 250V AC or 32V DC
- Amperage Rating: 1A ~ 30A
- Standard: UL248-14

