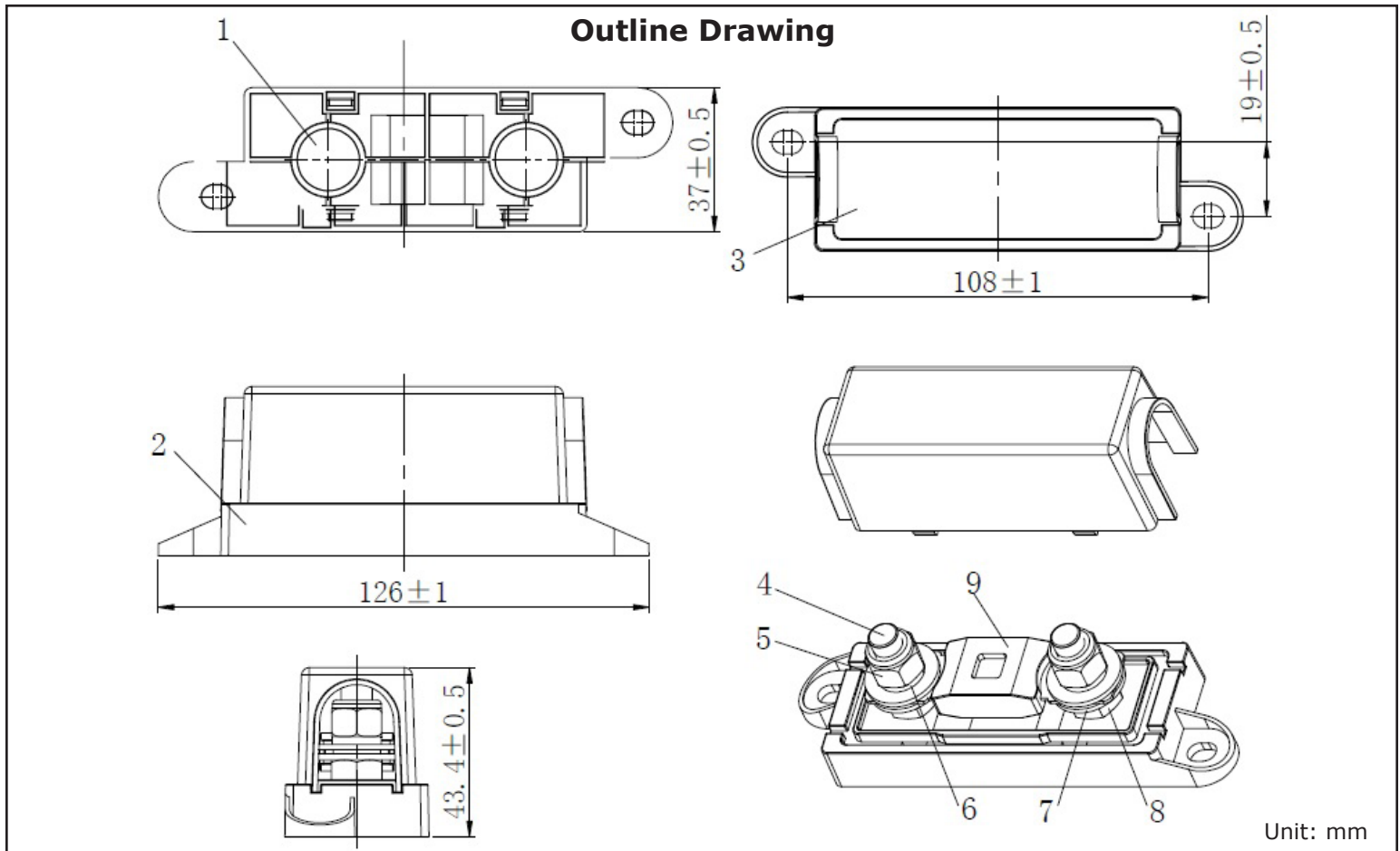




PICO®

9711 Specifications Sheet



Notes

No.	Piece	Qty	Material	Note
1	Plug	2	PA66+GF30	
2	Base	1	PA66+GF30	
3	Cover	1	PC	
4	Bolt	2	Steel	M8X30
5	Locknut	2	Steel	M8
6	Spring washer	2	Steel	
7	Washer	4	Copper Alloy	
8	Nut	2	Steel	M8
9	ANM Fuse	1		

Specifications

1. Unless otherwise specified tolerance is ± 0.2 mm.
2. Terminal option: $\varnothing 8$ tubular terminal with a maximum of 50mm² wire.
3. Operating temperature: -40°C to 125°C
4. Current rating: For 40A-250A 32VDC Bakelite ANM fuses. For 300A-500A 32VDC Ceramic ANM fuses.
5. Mounting Torque: 13 \pm 1 N.m (under 250A), 16 \pm 1 N.m (above 250A).