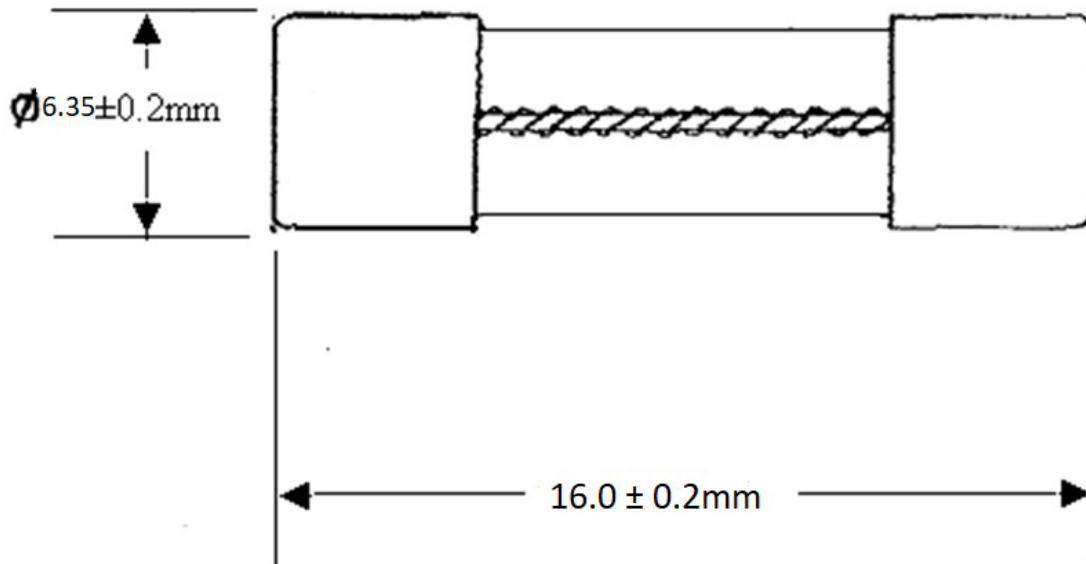




# PICO<sup>®</sup>

## 9690-9696 Specifications Sheet

### Outline Drawings



Unit of measure: mm  
Tolerance  $\pm 0.2$

### Time Current Characteristics

	N. In	1 in	1.35 in	2 in
Rated Current			Max	Max
4A ~ 30A		Min. 4h	3600 sec	120 sec

### Description

Part #	Amp	Size
9690	4	6.35 x 16mm
9691	6	6.35 x 19mm
9692	7.5	6.35 x 22mm
9693	9	6.35 x 22mm
9694	14	6.35 x 27mm
9695	20	6.35 x 32mm
9696	30	6.35 x 36.5mm

### General Specifications

- Fuse Type: SFE
- Blowing Characteristics: Fast acting
- Body Material: Glass
- Cap Material: Brass With Nickel Finish
- Wire: Silver Alloy
- Voltage Rating: 250V AC 32V DC
- Amperage Rating: 4A ~ 30A
- Standard: UL248-14

