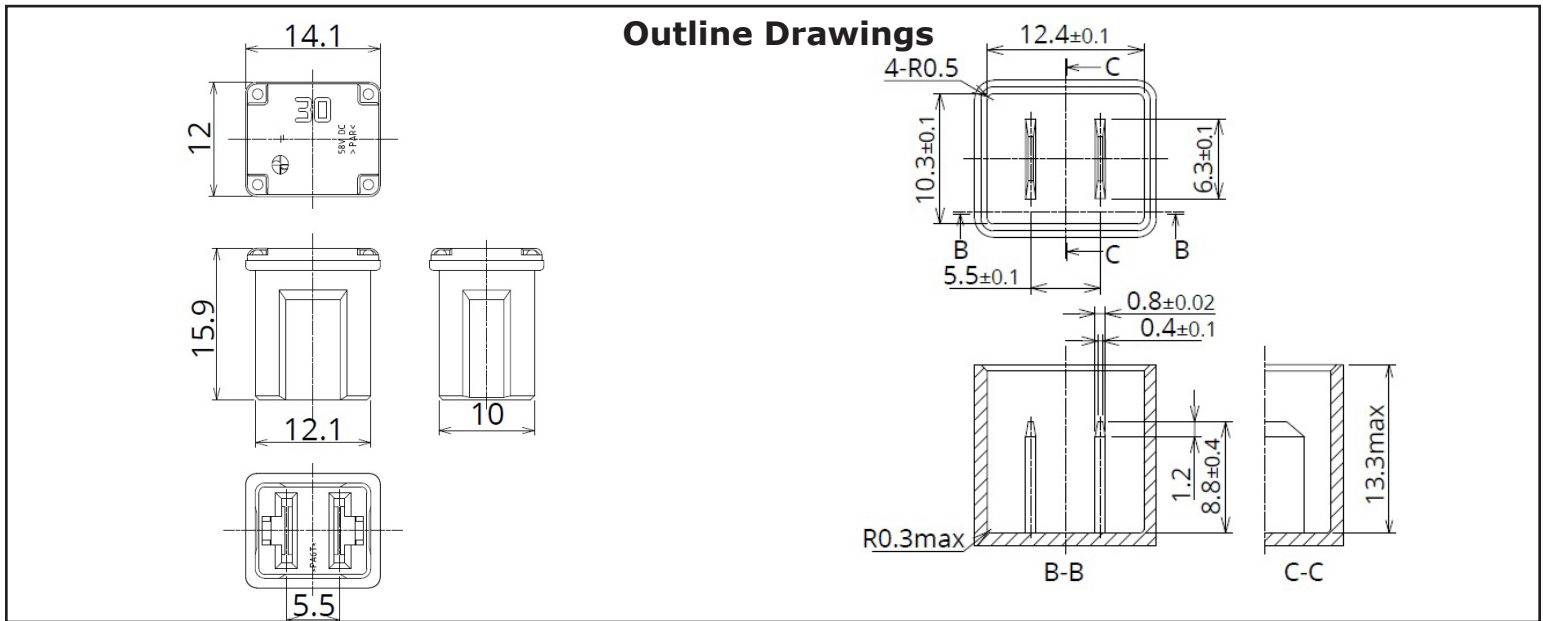




PICO®

9584-9589 Specifications Sheet

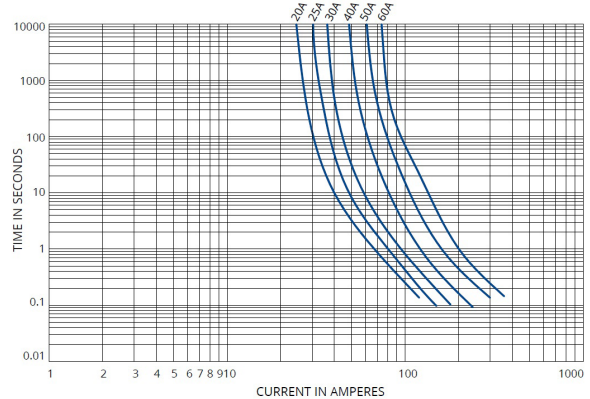


Time-Current Characteristics

% of Amperage Rating	Operating Time	
	Min	Max
110	100hrs.	-
135	60sec.	1800sec.
200	5sec.	60sec.
350	0.2sec.	7sec.
600	0.04sec.	1sec.

*The fuse characteristic may change depending on the conditions of use.

Time Current Characteristics Chart



Description

Part #	Amp	Colours	Resistance Value	Voltage Drop
9584-11	20	Blue	4.3 mΩ	103 mV
9585-11	25	White	3.5 mΩ	106 mV
9586-11	30	Pink	3 mΩ	103 mV
9587-11	40	Green	1.9 mΩ	92 mV
9588-11	50	Red	1.5 mΩ	92 mV
9589-11	60	Yellow	1.2 mΩ	93 mV

*Voltage drop: apply 100% of the rated current.

General Specifications

Voltage Rating: 58VDC
 Breaking Capacity: 1000A
 Operating Temperature: -40°C ~ 120°C
 Standard: ISO 8820-4
 Insertion Force: 44.1N
 Pull-out Load: 9.8N~24.5N

