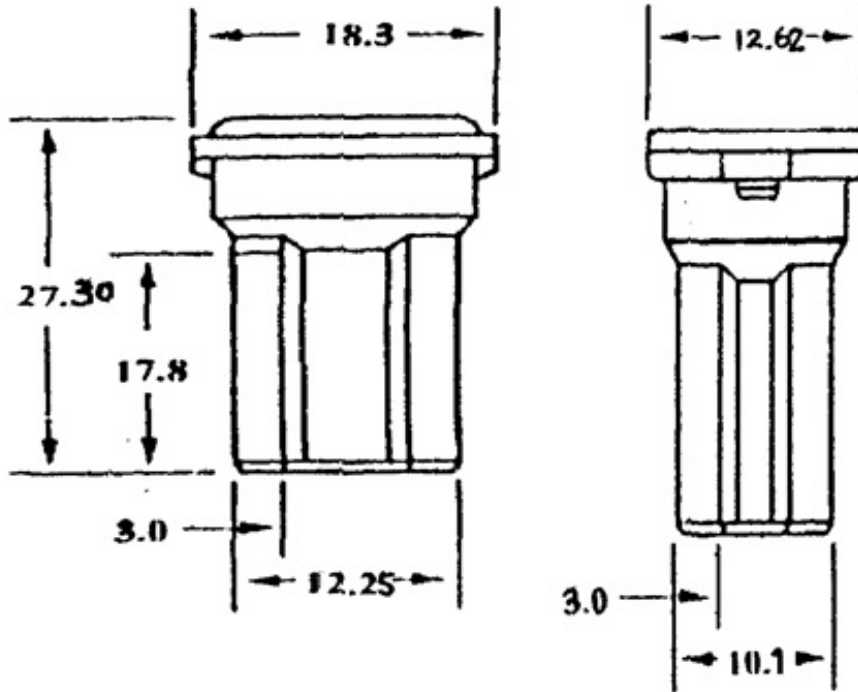




# PICO®

## 9581-9582 Specifications Sheet

### Outline Drawings



Unit of measure: mm  
Tolerance  $\pm 0.2$

### Time Current Characteristics

Rating	Blow Time
100%	100hrs
135%	60 ~ 1800s
200%	2 ~ 60s
350%	0.2 ~ 7s
600%	0.4 ~ 1s

### Description

Part #	Amp	Colours
9581-11	30	Pink
9582-11	40	Green

### General Specifications

- Fuse Type: Female Mini Japanese Car Fuse Link Terminations
- Fuse Element Material: Copper alloy
- Voltage Rating: 32V DC
- Fuses are colour coded for easy amperage identification
- Standard: JASO D614

