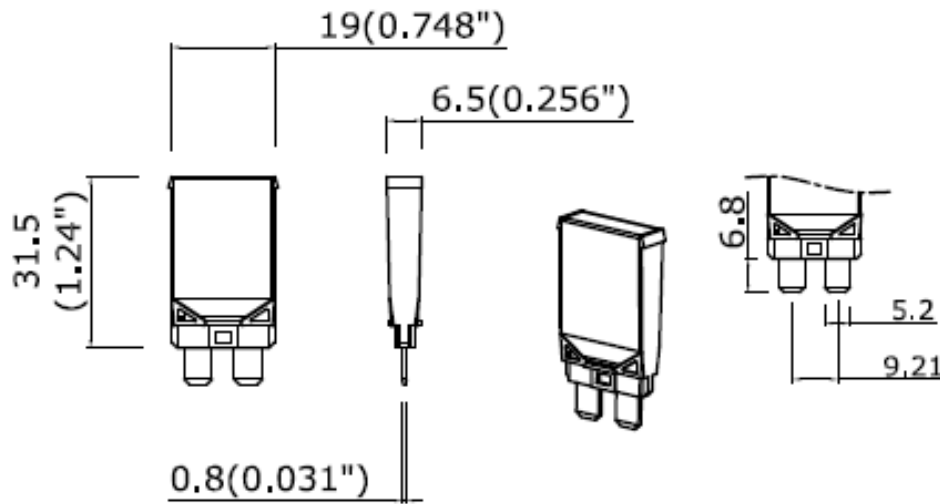




# PICO®

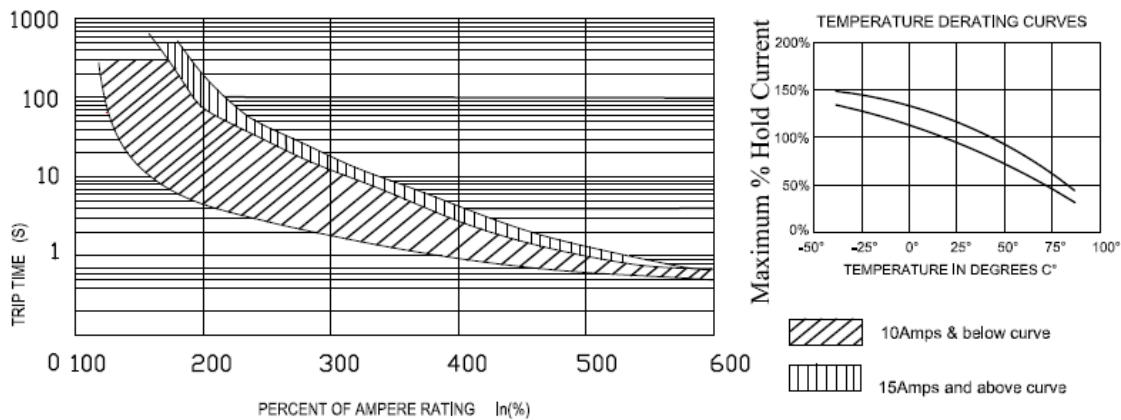
## 9504 - 9508 Specifications Sheet

### Outline Drawings



Unit of measure: mm

### Time Current Characteristics Chart



### General Specifications

Modified Reset Type (Type 2)  
 Single Pole Thermal Circuit Breaker  
 Rating: 10-30A; 14V DC  
 Operating Temperature Rating: -40°F (-40°C) to 180°F (85°C)  
 Storage Temperature Rating: -40°F (-40°C) to 260°F (125°C)  
 Compliance: SAE J553 & ISO 10924-4

Part #	Amp	Interrupt Rating
9504	10	150A @ 14VDC
9505	15	225A @ 14VDC
9506	20	300A @ 14VDC
9507	25	450A @ 14VDC
9508	30	450A @ 14VDC