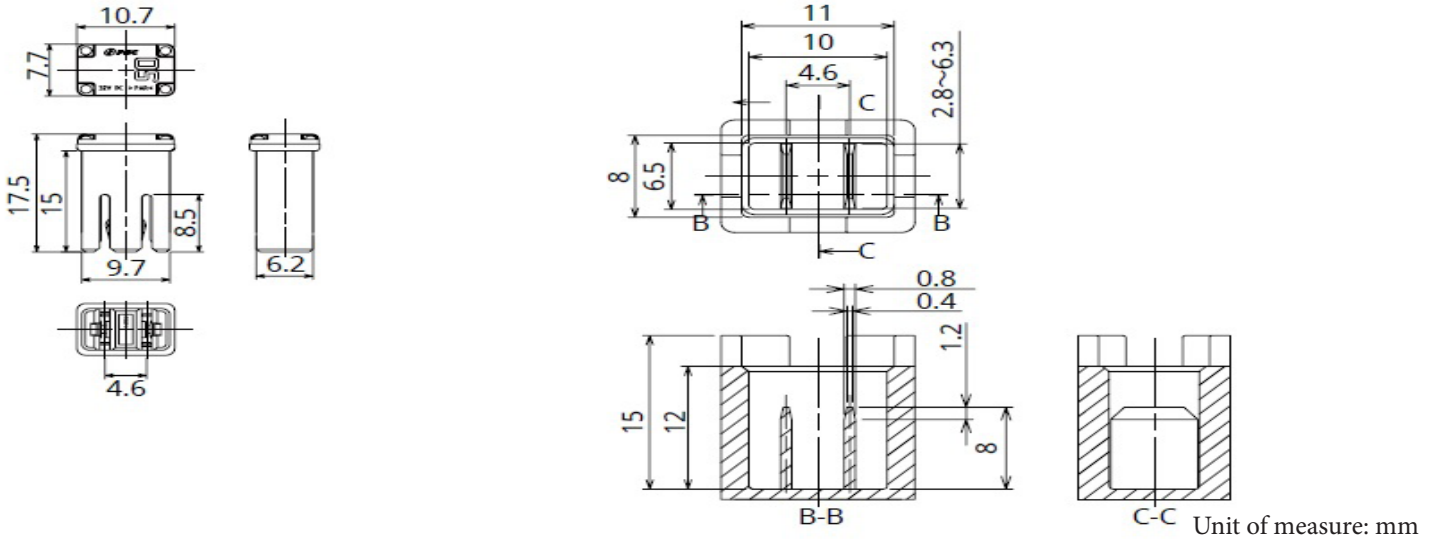




PICO[®]

Micro Slotted Fuses Specifications Sheet

Outline Drawings

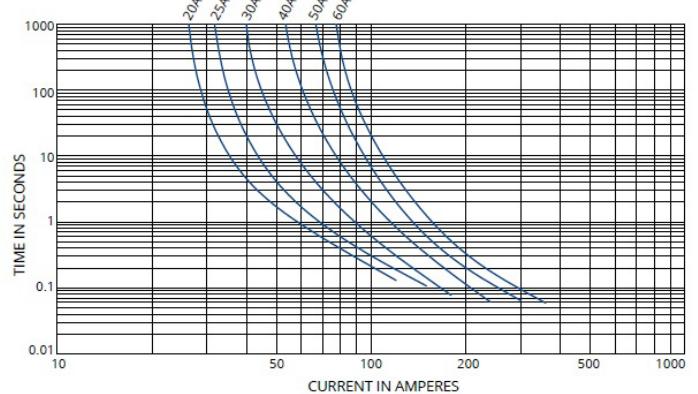


Time-Current Characteristics

% of Amperage Rating	Operating Time	
	Min	Max
110	100hrs.	-
135	60sec.	1800sec.
200	2sec.	60sec.
350	0.2sec.	7sec.
600	0.04sec.	1sec.

*The fuse characteristic may change depending on the conditions of use.

Time Current Characteristics Chart



Description

Part #	Amp	Voltage	Colours	Voltage Drop
10450-11	15	32 VDC	Gray	-
10451-11	20	32 VDC	Light Blue	93.2 mV
10452-11	25	32 VDC	White	92.6 mV
10453-11	30	32 VDC	Pink	79.6 mV
10454-11	40	32 VDC	Green	75.8 mV
10455-11	50	32 VDC	Red	83.7 mV
10456-11	60	32 VDC	Yellow	70.5 mV

*Voltage drop: apply 100% of the rated current.

General Specifications

Rated Voltage: DC32V
 Breaking Capacity: 1000A
 Recommended Operating Temp.: -40°C ~ 120°C
 Plating: Tin plating
 Insertion Force: 44.1N
 Pull-out Load: 4N~24.5N

