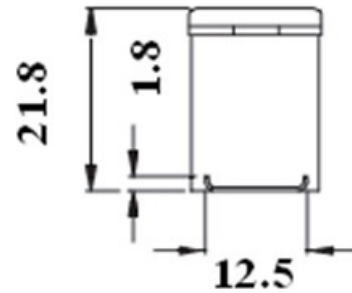
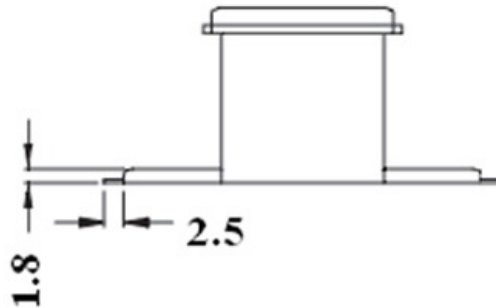
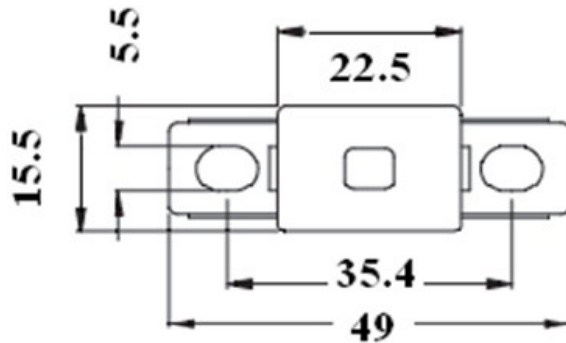




# PICO®

## 9981-9987 Specifications Sheet

### Outline Drawings



Unit of measure: mm  
Tolerance  $\pm 0.2$

### Time Current Characteristics

In	1.1 In	2.0 In		3.0 In		5.0 In	
		Min.	Max.	Min.	Max.	Min.	Max.
30-120A	>4 Hours	5 s	100 s	0.5 s	15 s	-	3 s

### Description

Part #	Amp	Colour
9981-11	30	Pink
9982-11	40	Green
9983-11	50	Red
9986-11	80	Black
9987-11	100	Blue

### General Specifications

- Fuse Type: 9/16" Bolt-In Japanese Car Fuse Link Terminations
- Fuses are Colour Coded For Easy Amperage Identification
- Standard: JASO D614
- Voltage Rating: 32V DC

